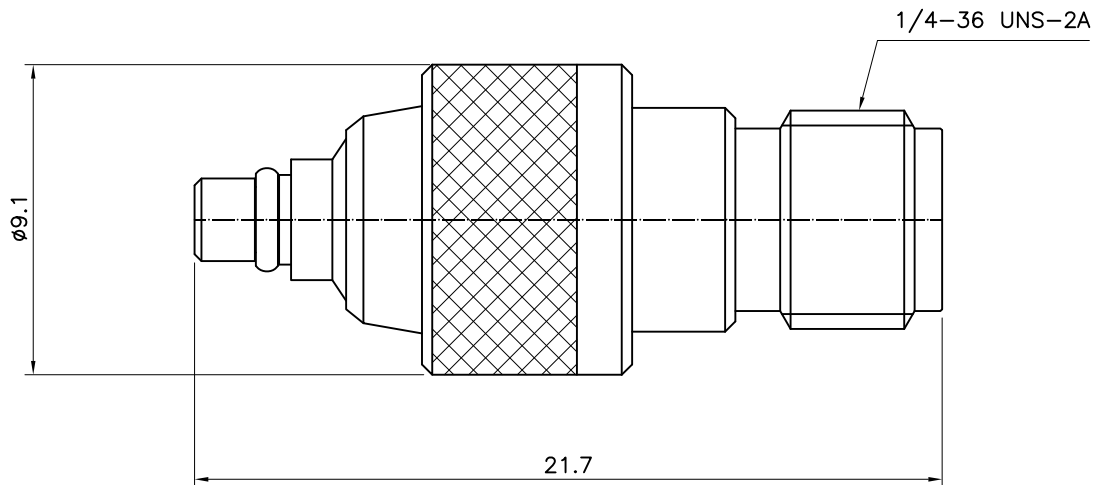


No.	Revision	Date	Name
△	PN Change from 1A-173-00	26/08/2013	B.G.YUN
△			

RoHS Compliant



SPECIFICATIONS;  
 IMPEDANCE : 50 Ohms  
 Frequency Range : 0~6 GHz  
 Working Voltage : 170 VRMS  
 Insulation Resistance : 1000M ohms min.  
 Temperature Range : -65~125°C  
 VSWR : DC~6 GHz : ≤1.20

SMA JACK to MMCX PLUG  
 ADAPTOR

Item	Materials	Plating
Body	Brass	Gold Plated
C-Ring	Be-Cu	Gold Plated
Center contact	Be-Cu	Gold Plated
Insulator	PTFE	-

**CUSTOMER**

NO.	DESCRIPTION	Q'TY	MATERIAL	FINISH	REMARKS.
PARTS No.	AD-1114-201	NAME	SMA(J)-MMCX(P) Adap.		APPROVED
MATERIAL	FINISH	TOLERANCES	OTHERWISE SPEC. ±0.05 ANGLES ±1°		CHECKED
SCALE	UNIT	mm			DESIGNED S.J.LEE
DWG NO.	AD-1114-201		DATE.		26/MAR/2007

DONGJIN TI.