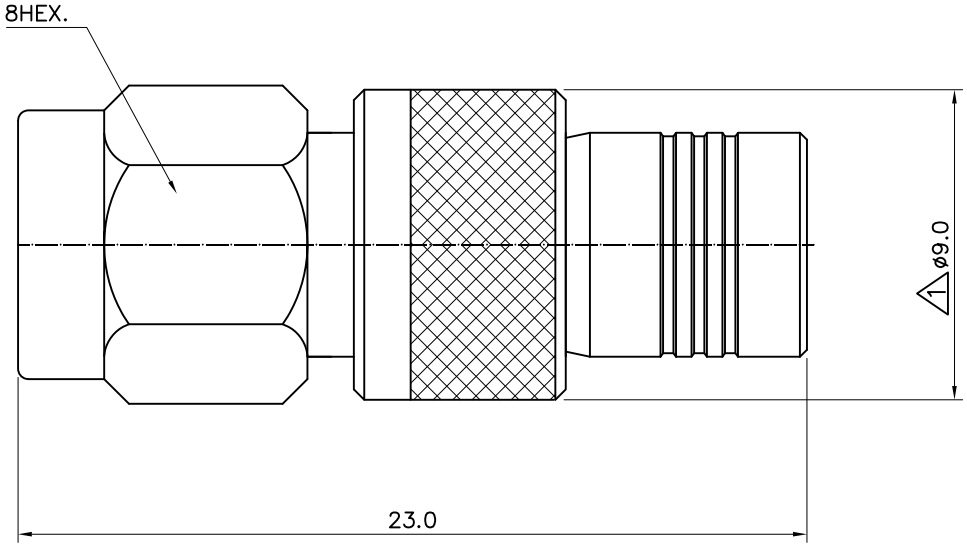


No.	Revision	Date	Name
△	PN Change from 1A-121-00	24/09/2013	B.G.YUN
△	Body OD Change from ø9.1 to ø9.0	24/09/2013	B.G.YUN

RoHS Compliant



Item	Materials	Plating
Body	Brass	Gold Plated
Center contact	Be-Cu	Gold Plated
Insulator	PTFE	-

SMA PLUG to SMB PLUG ADAPTOR

VSWR ; 1.2:1(-20dB) @ DC~4GHz

CUSTOMER

NO.	DESCRIPTION	Q'TY	MATERIAL	FINISH	REMARKS.
PARTS No.	AD-1415-101		NAME	SMA(P) to SMB(P) Adaptor	APPROVED
MATERIAL	FINISH	TOLERANCES OTHERWISE SPEC. ±0.05		ANGLES ±1°	CHECKED
		SCALE	UNIT		DESIGNED
			mm		S.J.LEE
		DWG NO.		AD-1415-101	DATE.
					08/AUG/2007

