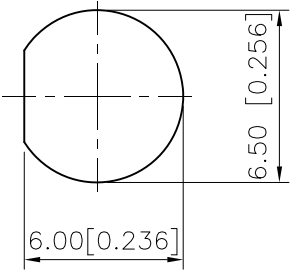
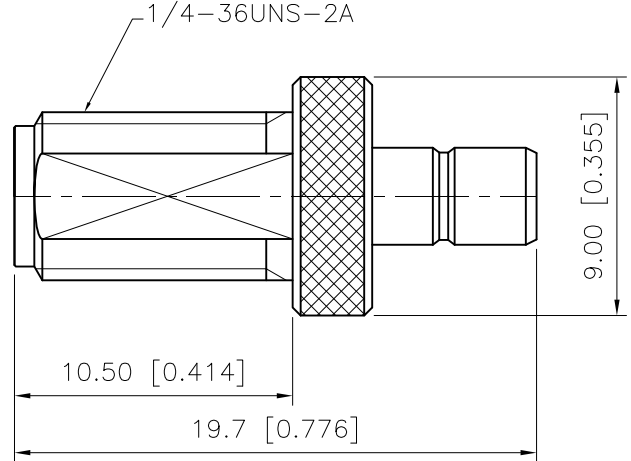
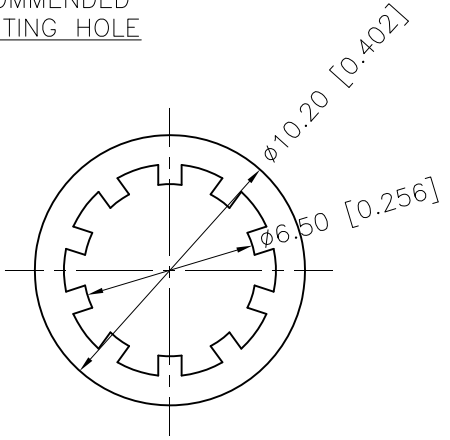
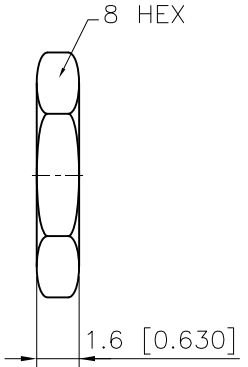


4	5	6
No.	Revision	Date
△		
△		

RoHS Compliant



RECOMMENDED MOUNTING HOLE



Frequency range : DC~40GHz
 V.S.W.R : 1.20:1 max @ 4GHz

Item	Materials	Plating
Body	Brass	Gold Plated
Center contact	Be-Cu	Gold Plated
Insulator	PTFE	-
Nut,Washer	Brass	Gold Plated

SMA BULKHEAD JACK to SMB JACK ADAPTOR

PARTS No. AD-1415-403		NAME SMA(BJ) to SMB(J) Adaptor		APPROVED S.J.LEE
MATERIAL	FINISH	TOLERANCES OTHERWISE SPEC. ±0.05 ANGLES ±1°		CHECKED K.Y.SON
SCALE		UNIT mm		DESIGNED K.H.LEE
DWG NO. AD-1415-403		DATE. 27/APR/2012		

CUSTOMER

