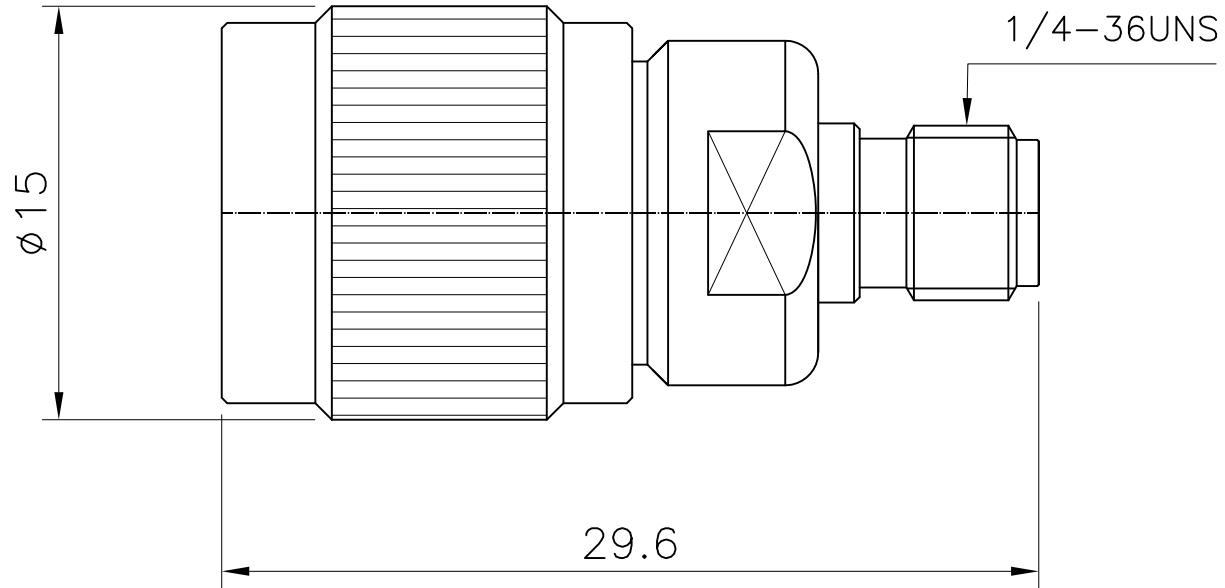


No.	Revision	Date	Name
△	PN Change from 1A-142-00	22/07/2013	B.G.YUN
△			

RoHS Compliant



TNC PLUG TO SMA JACK
ADAPTOR

Item	Materials	Plating
Body, Coupling	Brass	Nickel Plated
Center contact	Be-Cu	Gold Plated
Insulator	PTFE	-

NO.	DESCRIPTION	Q'TY	MATERIAL	FINISH	REMARKS.
PARTS No.	AD-1419-301		NAME	TNCP-SMAJ Adap.	APPROVED
MATERIAL	FINISH	TOLERANCES OTHERWISE SPEC. ± 0.05		ANGLES $\pm 1^\circ$	CHECKED
SCALE		UNIT	mm		DESIGNED S.J.LEE
DWG NO.		AD-1419-301		DATE. 22/7/2003	

CUSTOMER

