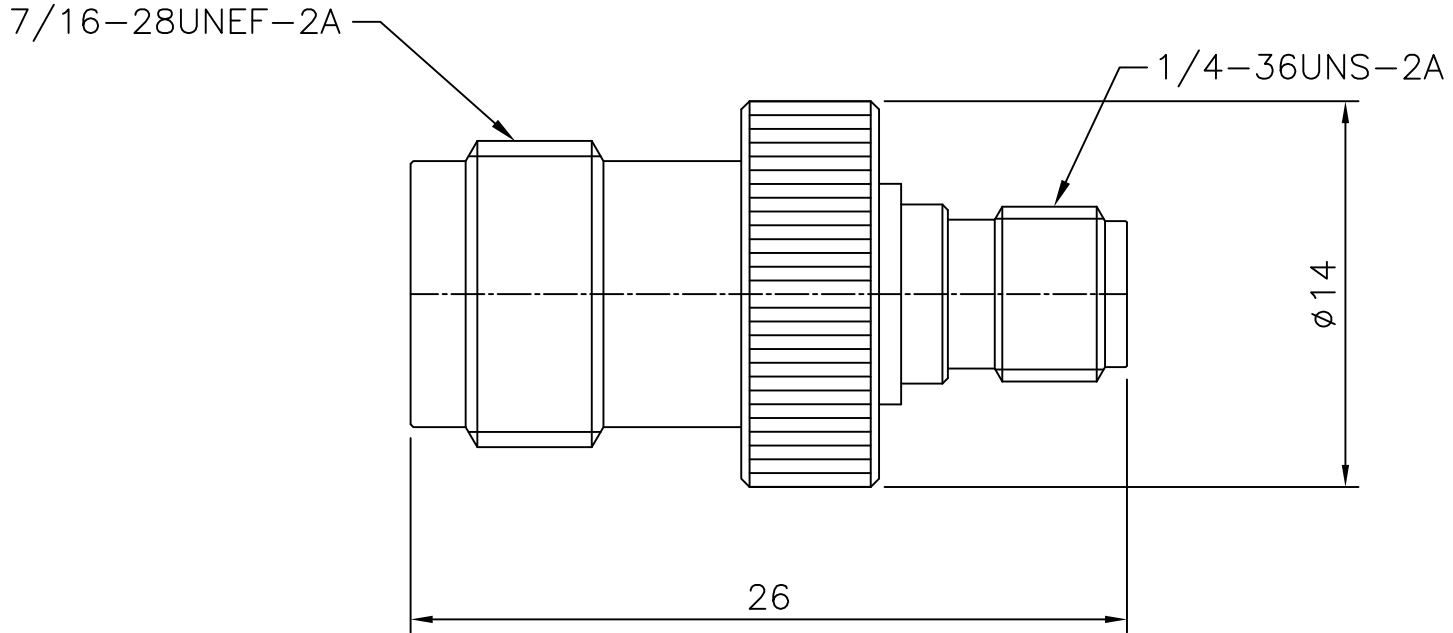


4	5	6	
No.	Revision	Date	Name
△	PN Change from 1A-144-00	02/07/2013	B.G.YUN
△			

RoHS Compliant



TNC JACK to SMA JACK
ADAPTOR

Item	Materials	Plating
Body, Coupling	Brass	Nickel Plated
Center contact	Be-Cu	Gold Plated
Insulator	PTFE	-

*VSWR ; 1.2:1@DC~6GHz

CUSTOMER

NO.	DESCRIPTION	Q'TY	MATERIAL	FINISH	REMARKS.
PARTS No.	AD-1419-401	NAME	TNCJ-SMAJ Adap.		APPROVED
MATERIAL	FINISH	TOLERANCES OTHERWISE SPEC. ±0.05		ANGLES ±1°	CHECKED
SCALE		UNIT	mm		DESIGNED S.J.LEE
DWG NO.		AD-1419-401		DATE. 22/7/2003	

