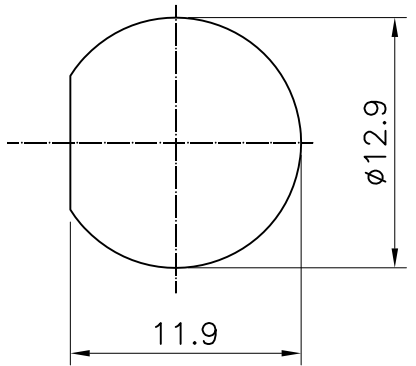
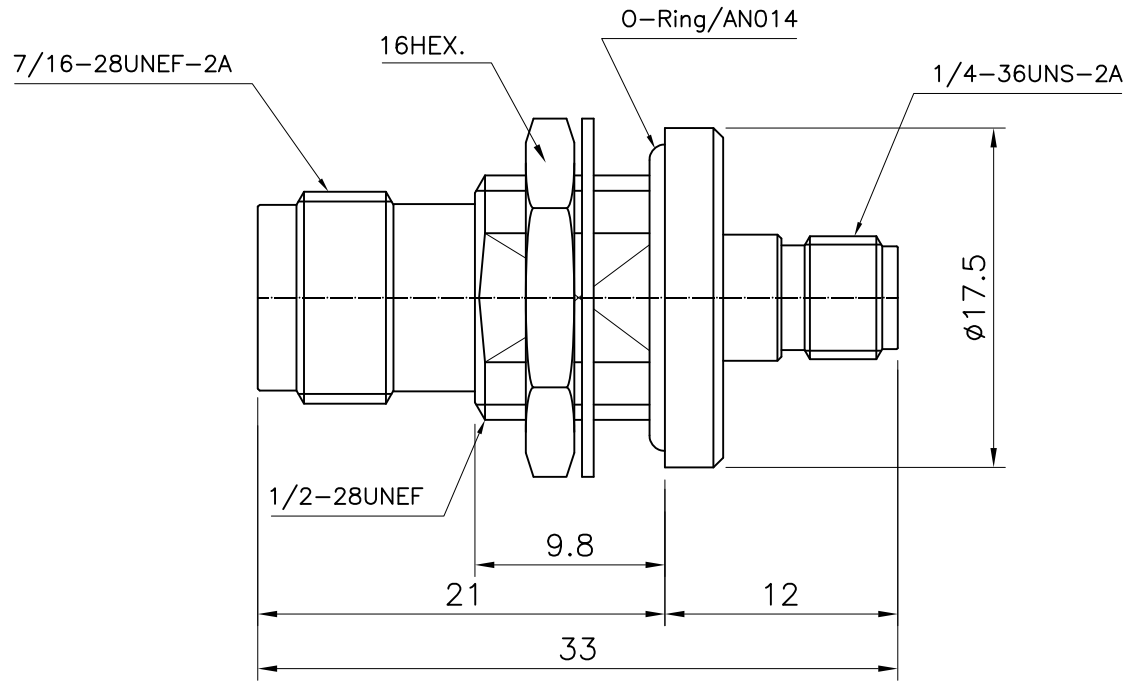


4	5	6	
No.	Revision	Date	Name
△	PN Change from 1A-145-33	10/07/2013	B.G.YUN
△			

RoHS Compliant



MOUNTING HOLES

Item	Materials	Plating
Body	Brass	Nickel Plated
Nut,Washer	Brass	Nickel Plated
Center contact	Be-Cu	Gold Plated
Insulator	PTFE	-
O-Ring	Silicone rubber	-

TNC-Bulkhead JACK TO
SMA JACK ADAPTOR (with Seal)

CUSTOMER

NO.	DESCRIPTION	Q'TY	MATERIAL	FINISH	REMARKS.
PARTS No.	AD-1419-501		NAME	TNCBJ -SMAJ ADAP.	APPROVED
MATERIAL	FINISH	TOLERANCES OTHERWISE SPEC. ±0.05		ANGLES ±1°	CHECKED
SCALE		UNIT	mm		DESIGNED S.J.LEE
DWG NO.		AD-1419-501		DATE. 05/MAR/2008	

