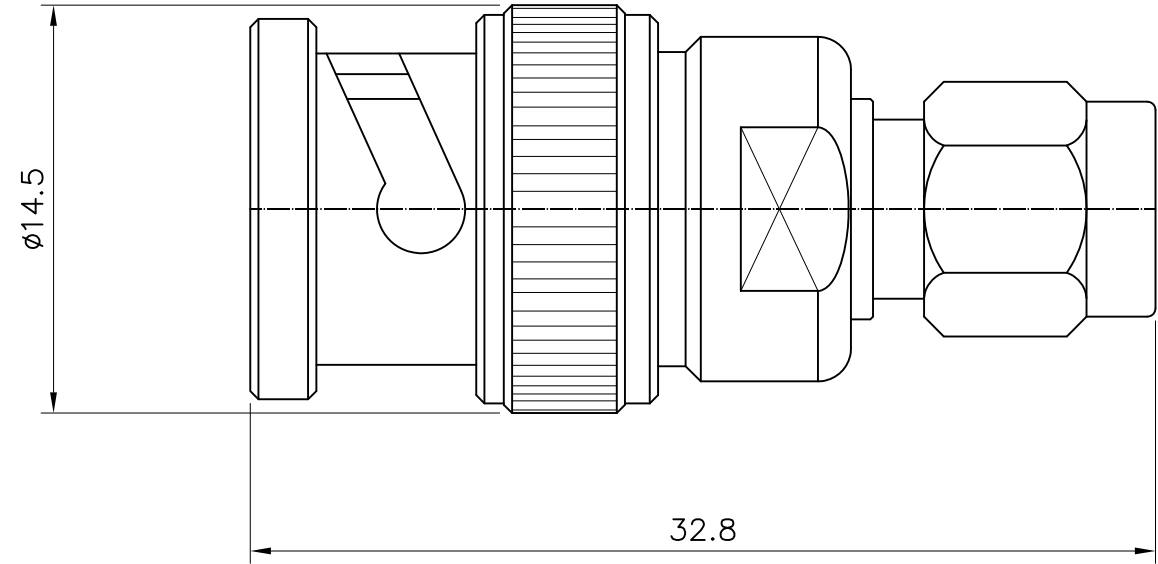


4	No.	Revision	5	Date	6	Name
	△	PN Change from 1A-151-00		02/07/2013		B.G.YUN
	△					

RoHS Compliant



BNC PLUG to SMA PLUG
ADAPTOR

Item	Materials	Plating
Body	Brass	Nickel Plated
Coupling Cap	Zinc	Nickel Plated
Center contact	Beryllium copper	Gold Plated
Insulator	PTFE	-
VSWR ; DC~4 GHz : $\leq 1.20(-20dB)$		

CUSTOMER

NO.	DESCRIPTION	Q'TY	MATERIAL	FINISH	REMARKS.
PARTS No.	AD-1421-101		NAME	BNCP-SMAP ADP.	APPROVED
MATERIAL	FINISH	TOLERANCES OTHERWISE SPEC. ± 0.05		ANGLES $\pm 1^\circ$	CHECKED
		SCALE	UNIT mm		DESIGNED S.J.LEE
		DWG NO. AD-1421-101		DATE. 22/7/2003	