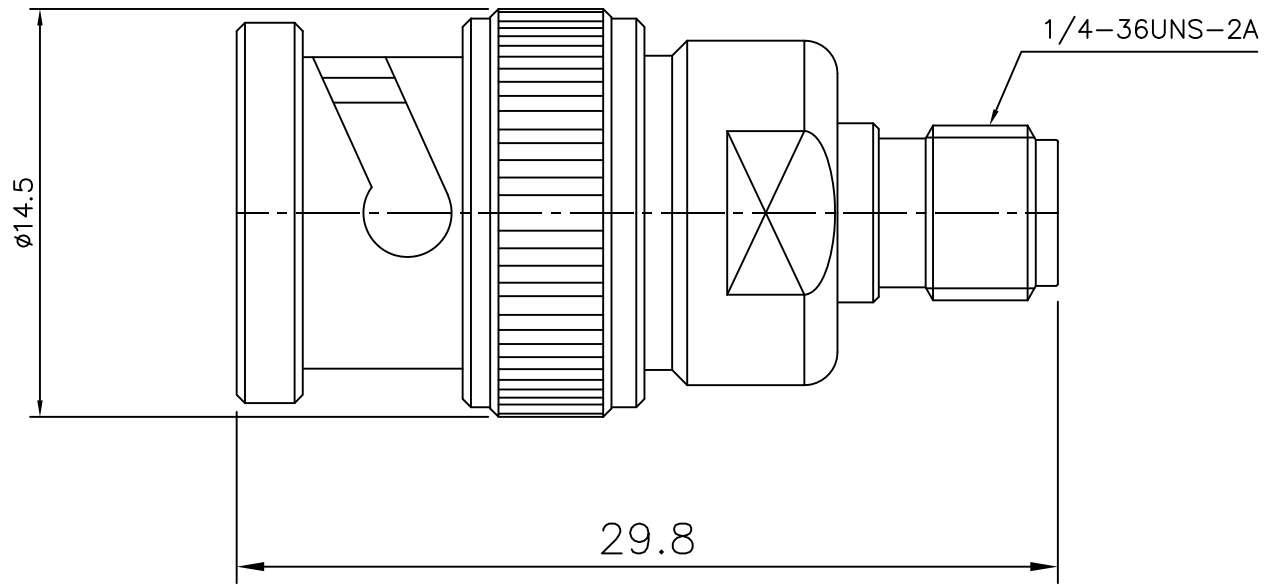


4	5	6	
No.	Revision	Date	Name
△	PN Change from 1A-152-00	AUG/05/2013	S.J.PARK
△			


D
C
B
A



Item	Materials	Plating
Body	Brass	Nickel Plated
Coupling Cap	Zinc	Nickel Plated
Center contact	Be-Cu	Gold Plated
Insulator	PTFE	-

SMA JACK to BNC PLUG
ADAPTOR

CUSTOMER

PARTS No. AD-1421-303		NAME SMA/J-BNC/P-Adap.		APPROVED
MATERIAL	FINISH	TOLERANCES OTHERWISE SPEC. ± 0.05 ANGLES $\pm 1^\circ$		CHECKED
 DONGJIN TI.		SCALE	UNIT mm	DESIGNED S.J.LEE
		DWG NO. AD-1421-303		DATE. 22/7/2003