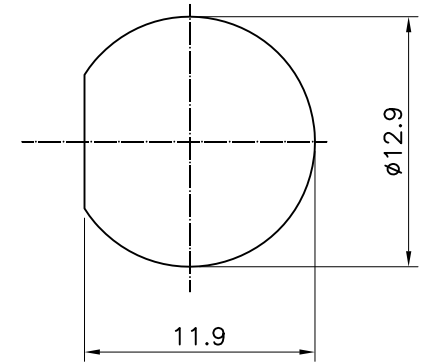
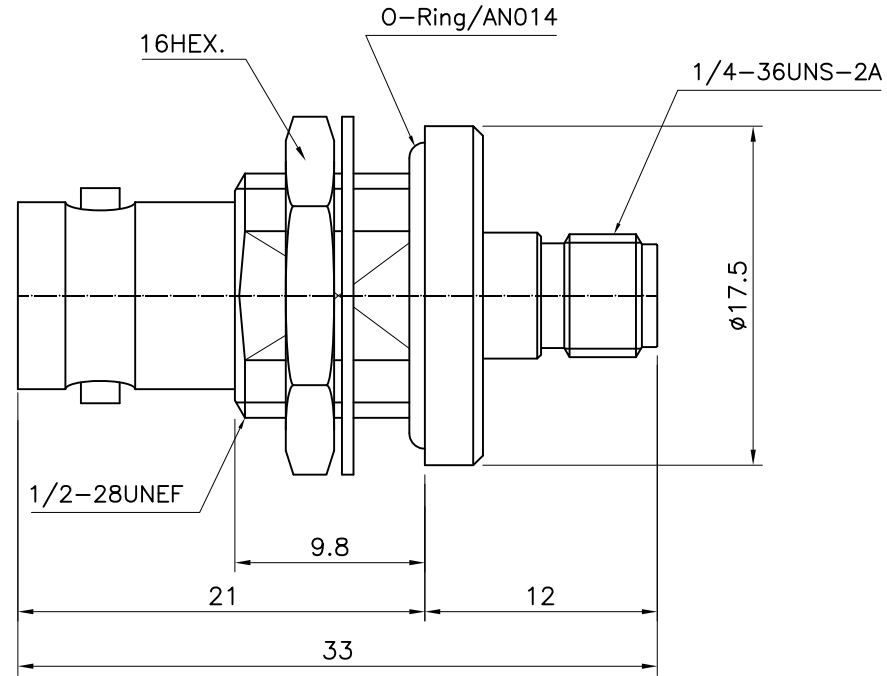


|     |                          |            |         |
|-----|--------------------------|------------|---------|
| No. | Revision                 | Date       | Name    |
| △   | PN Change from 1A-155-33 | 02/07/2013 | B.G.YUN |
| △   |                          |            |         |

RoHS Compliant



MOUNTING HOLES

BNC-Bulkhead JACK TO  
SMA JACK ADAPTOR (with Seal)

| Item           | Materials       | Plating       |
|----------------|-----------------|---------------|
| Body           | Brass           | Nickel Plated |
| Nut,Washer     | Brass           | Nickel Plated |
| Center contact | Be-Cu           | Gold Plated   |
| Insulator      | PTFE            | -             |
| O-Ring         | Silicone rubber | -             |

**CUSTOMER**

| NO.       | DESCRIPTION | Q'TY                                | MATERIAL          | FINISH     | REMARKS.            |
|-----------|-------------|-------------------------------------|-------------------|------------|---------------------|
| PARTS No. | AD-1421-501 | NAME                                | BNCBJ -SMAJ ADAP. |            | APPROVED            |
| MATERIAL  | FINISH      | TOLERANCES<br>OTHERWISE SPEC. ±0.05 |                   | ANGLES ±1° | CHECKED             |
| SCALE     |             | UNIT                                | mm                |            | DESIGNED<br>S.J.LEE |
| DWG NO.   |             | AD-1421-501                         |                   | DATE.      | 05/MAR/2008         |

DONGJIN TI.