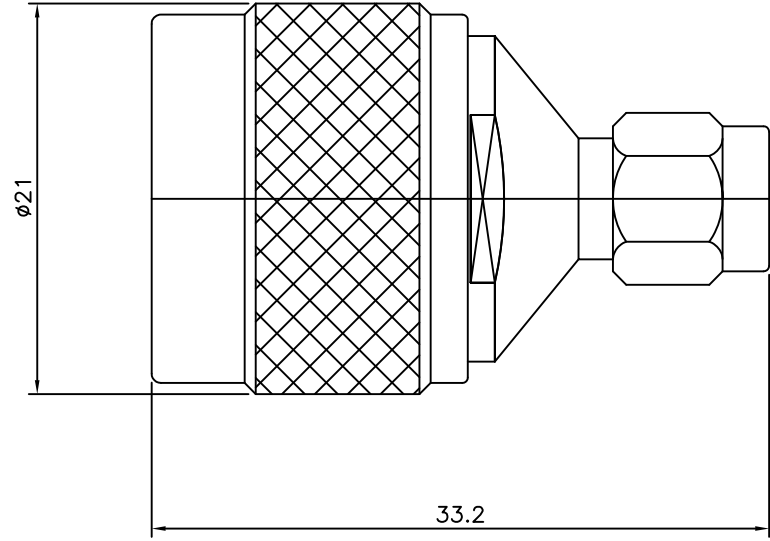


4	5	6	
No.	Revision	Date	Name
△	PN Change from 1A-131-00	10/FEB/2014	S.J.PARK
△			

RoHS Compliant



N PLUG TO SMA PLUG- Adaptor

Item	Materials	Plating
Coupling cap	Brass	Nickel Plated
Body	Brass	Nickel Plated
Center contact	Brass	Gold Plated
Insulator	PTFE	-
Gasket	Silicone rubber	-

VSWR ; 1.20:1 @ DC~6 GHz

**CUSTOMER**

NO.	DESCRIPTION	Q'TY	MATERIAL	FINISH	REMARKS.
PARTS No.	AD-1423-101	NAME	NP-SMAP Adap.		APPROVED
MATERIAL	FINISH	TOLERANCES OTHERWISE SPEC. ±0.05		ANGLES ±1°	CHECKED
SCALE	UNIT	mm			DESIGNED S.J.LEE
DWG NO.	AD-1423-101		DATE.		21/JUL/2008

