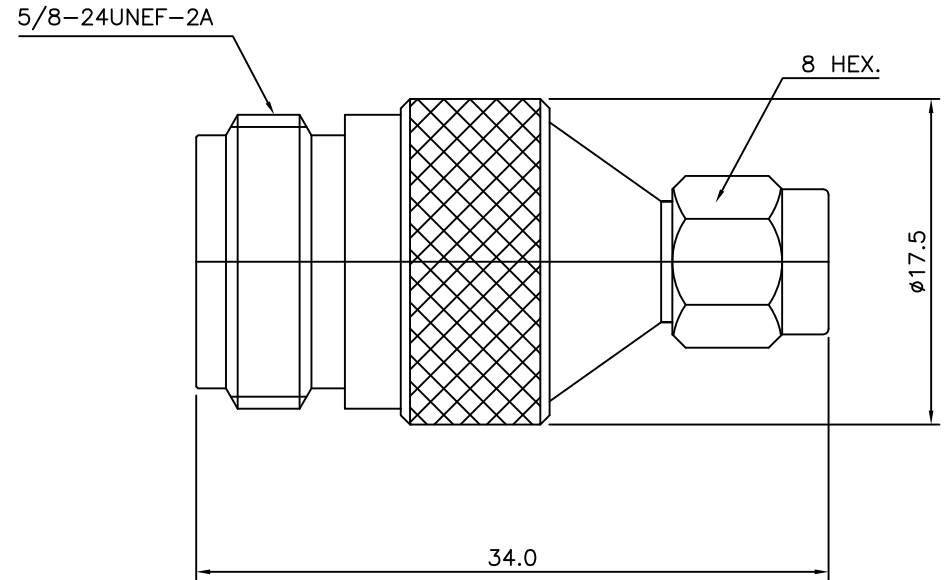


No.	Revision	Date	Name
△	PN Change from 1A-133-00	10/FEB/2014	S.J.PARK
△			

RoHS Compliant



N-JACK to SMA PLUG  
-Adaptor

Item	Materials	Plating
Body,Cap	Brass	Nickel Plated
Center contact	Beryllium copper	Gold Plated
Insulator	PTFE	-

VSWR : 1.2:1 max @ DC~9 GHz

**CUSTOMER**

NO.	DESCRIPTION	Q'TY	MATERIAL	FINISH	REMARKS.
PARTS No.	AD-1423-201	NAME	NJ-SMAP ADAP.		APPROVED
MATERIAL	FINISH	TOLERANCES OTHERWISE SPEC. ±0.05		ANGLES ±1°	CHECKED
SCALE		UNIT	mm		DESIGNED S.J.LEE
DWG NO.		AD-1423-201		DATE.	2001.05/04

