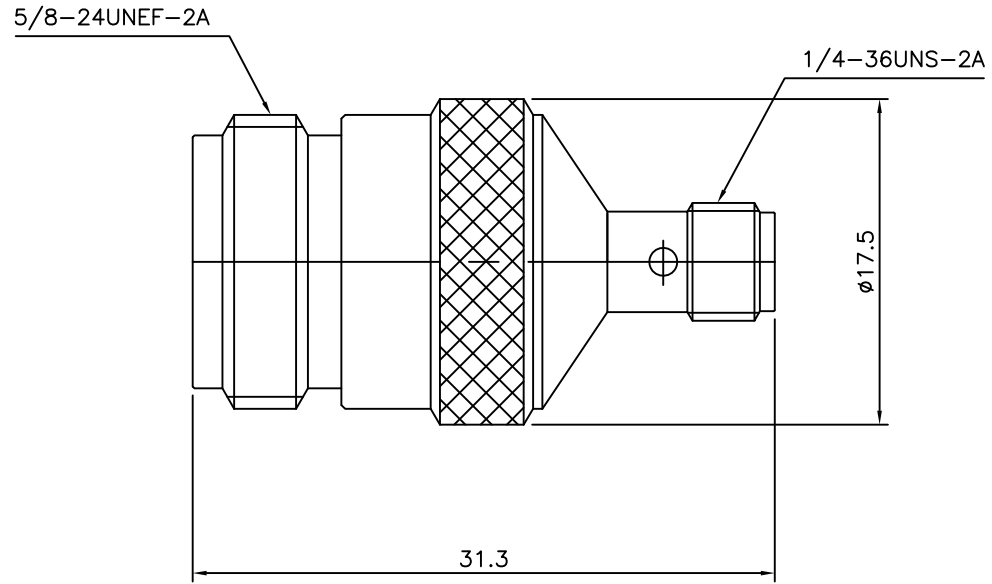


No.	Revision	Date	Name
△	PN Change from 1A-134S-18G	03/12/2013	B.G.YUN
△			

RoHS Compliant



N FEMALE to SMA FEMALE  
-ADAPTOR

Item	Materials	Plating
Body	Stainless steel	Passivated
Center contact	Beryllium copper	Gold Plated
Insulator	PTFE	-

VSWR; 1.25:1 max. @DC~18 GHz

**CUSTOMER**

NO.	DESCRIPTION	Q'TY	MATERIAL	FINISH	REMARKS.
PARTS No.	AD-1423-403	NAME	NJ-SMAJ ADAP.		APPROVED
MATERIAL	FINISH	TOLERANCES OTHERWISE SPEC. ±0.05		ANGLES ±1°	CHECKED
SCALE		UNIT	mm		DESIGNED S.J.LEE
DWG NO.		AD-1423-403		DATE.	03/MAY/2011

DONGJIN TI.