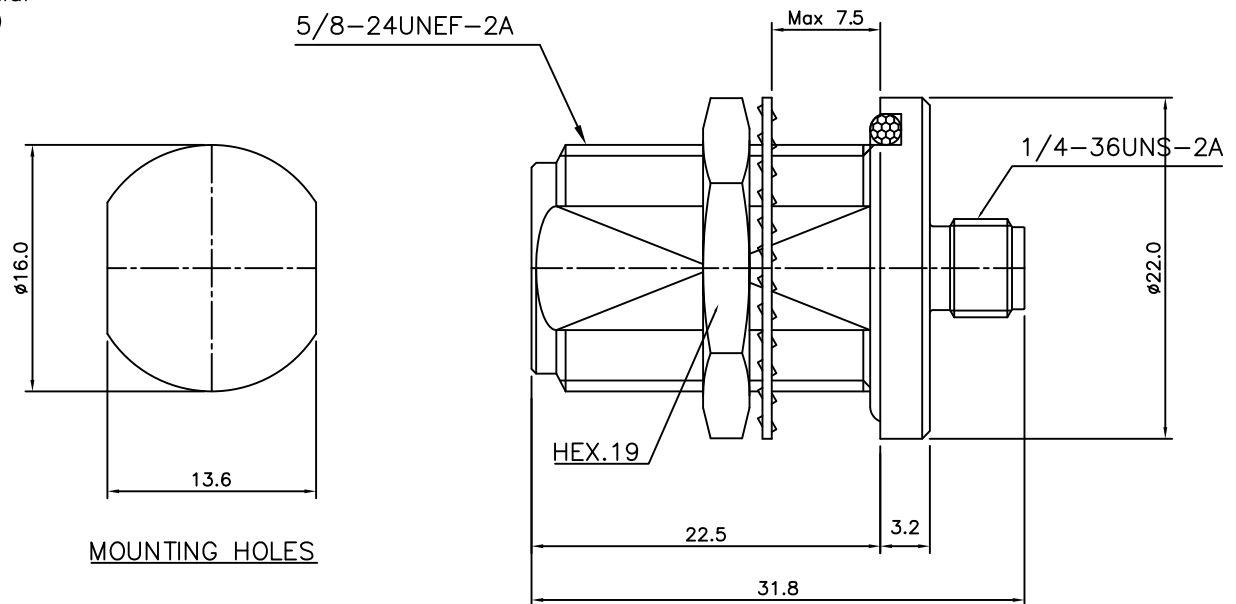


No.	Revision	Date	Name
△	PN Change from 1A-135-00	21/11/2013	B.G.YUN
△			

**SPECIFICATIONS**

Impedance: 50 OHM  
 Frequency Range: DC~9 GHz  
 VSWR; 1.20:1max @ DC~9 GHz  
 Voltage rating: 500 Vrms  
 Dielectric Withstanding Voltage: 1500 Vrms  
 Durability: 500 Cycles  
 Contact retention 6lbs axial  
 Temperature Range: -4.0

RoHS Compliant



N-TYPE BULKHEAD JACK  
 TO SMA JACK ADAPTOR  
 with Panel SEAL

Item	Materials	Plating
Body,Nut,Washer	Brass	Nickel Plated
Center contact	Be-Cu	Gold Plated
Insulator	TEFLON	-
Seal	Silicon rubber	-

NO.	DESCRIPTION	Q'TY	MATERIAL	FINISH	REMARKS.
PARTS No.	AD-1423-501	NAME		N-BJ TO SMA JACK	APPROVED
MATERIAL	FINISH	TOLERANCES		OTHERWISE SPEC. ±0.05	ANGLES ±1°
SCALE		UNIT	mm		DESIGNED S.J.LEE
DWG NO.		AD-1423-501			DATE. 25/FEB/2008

CUSTOMER

