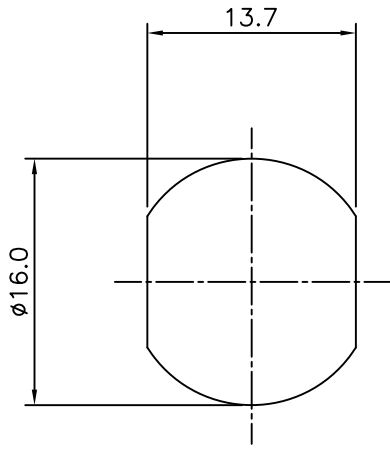
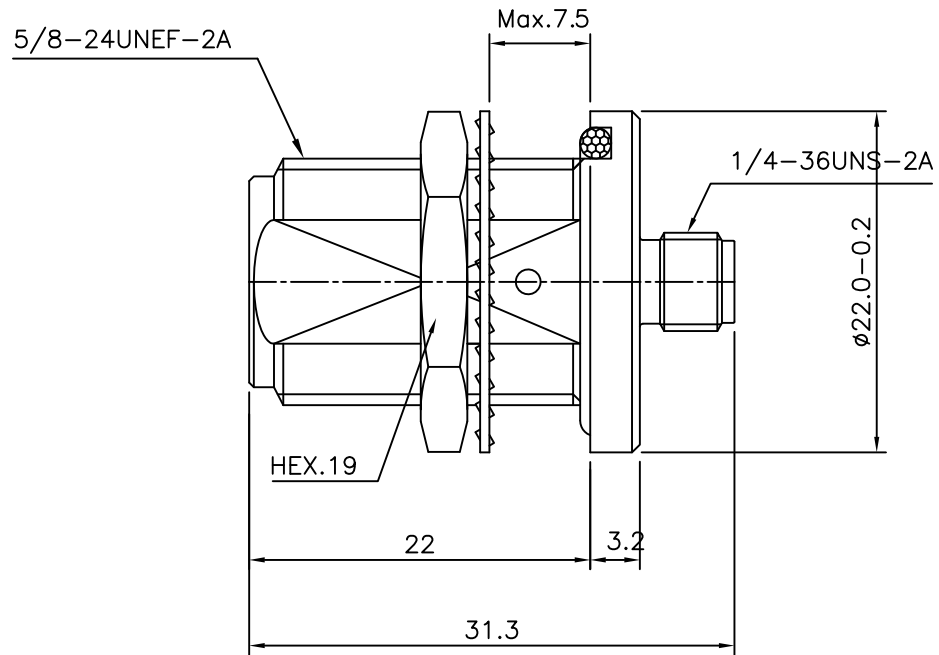


4	5	6	
No.	Revision	Date	Name
△	PN Change from 1A-135S-3130	12/11/2013	B.G.YUN
△			

RoHS Compliant



MOUNT HOLES



N-TYPE BULKHEAD JACK TO SMA JACK ADAPTOR with Panel SEAL

Item	Materials	Plating
Body,Nut,Washer	Stainless steel	Passivated
Center contact	Beryllium copper	Gold Plated
Insulator	TEFLON	-
Seal	Silicon rubber	-

VSWR; 1.20:1 max. @DC~15.0 GHz
1.35:1 max. @18.0 GHz

CUSTOMER

NO.	DESCRIPTION	Q'TY	MATERIAL	FINISH	REMARKS.
PARTS No.	AD-1423-502	NAME	N-BJ TO SMA JACK		APPROVED
MATERIAL	FINISH	TOLERANCES	OTHERWISE SPEC. ±0.05 ANGLES ±1°		CHECKED
SCALE	UNIT	mm		DESIGNED	S.J.LEE
DWG NO.	AD-1423-502		DATE.		20/SEP/2012

