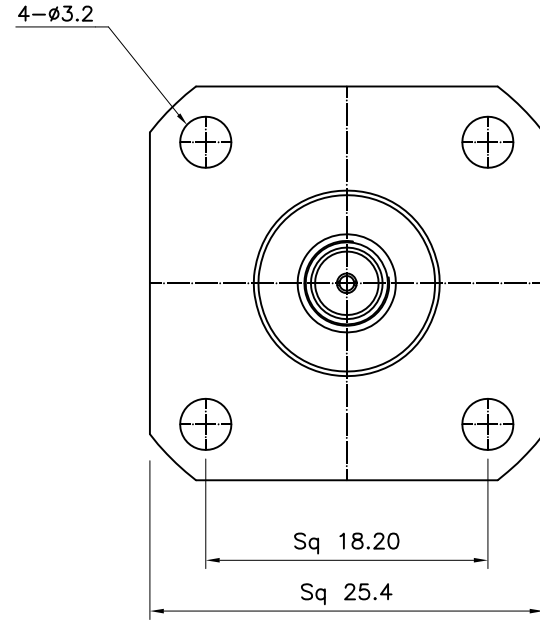
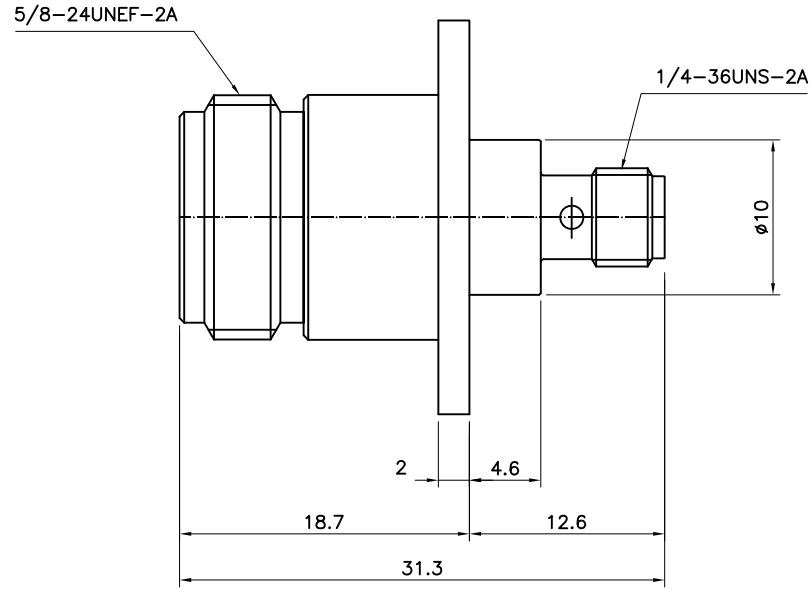


4	5	6	
No.	Revision	Date	Name
△	PN Change from 1A-136S-18G	03/07/2013	B.G.YUN
△			

RoHS Compliant



N PANEL 4H-JACK TO SMA JACK ADAPTOR

Item	Materials	Plating
Body	Stainless steel	Passivated
Center contact	Beryllium copper	Gold Plated
Insulator	PTFE	-

VSWR; 1.20:1max @DC~18 GHz

CUSTOMER

NO.	DESCRIPTION	Q'TY	MATERIAL	FINISH	REMARKS.
PARTS No.	AD-1423-603	NAME	NJ4H-SMAJ-Adaptor		APPROVED
MATERIAL	FINISH	TOLERANCES	OTHERWISE SPEC. ±0.05 ANGLES ±1°		CHECKED
SCALE	UNIT	mm			DESIGNED S.J.LEE
DWG NO.	AD-1423-603		DATE.		08/MAR/2012

