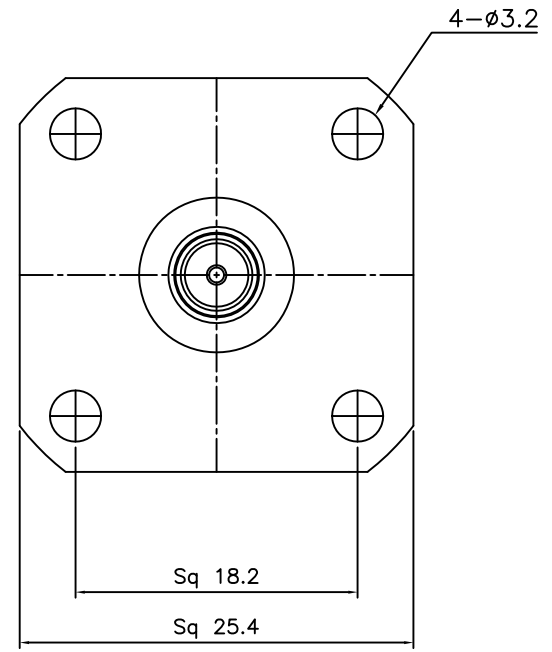
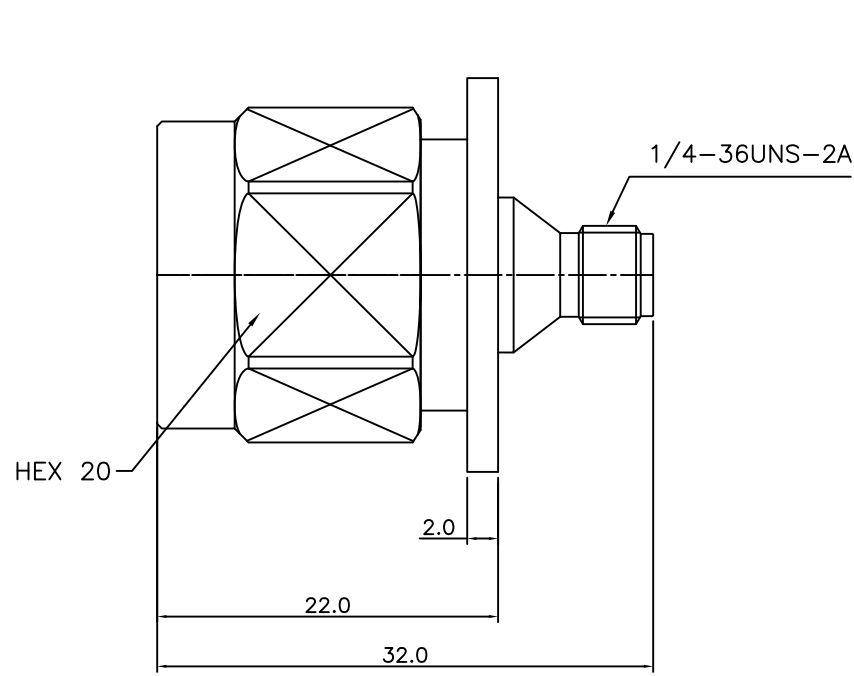


4	5	6	
No.	Revision	Date	Name
△	PN Change from 1A-137S-3907	13/JAN/2014	S.J.PARK
△			

RoHS Compliant



Item	Materials	Plating
Coupling cap	Stainless steel	Passivated
Body	Stainless steel	Passivated
Center contact	Beryllium copper	Gold Plated
Insulator	PTFE	-
Gasket	Silicone rubber	-

N PLUG 4H PANEL-SMA JACK ADAPTOR

VSWR ; max. 1.25:1 @ DC~18 GHz

CUSTOMER

NO.	DESCRIPTION	Q'TY	MATERIAL	FINISH	REMARKS.
PARTS No.	AD-1423-606	NAME	NP4H-SMAJ ADAP.		APPROVED
MATERIAL	FINISH	TOLERANCES OTHERWISE SPEC. ±0.05		ANGLES ±1°	CHECKED
SCALE		UNIT	mm		DESIGNED S.J.LEE
DWG NO.		AD-1423-606		DATE. 19/MAR/2012	

