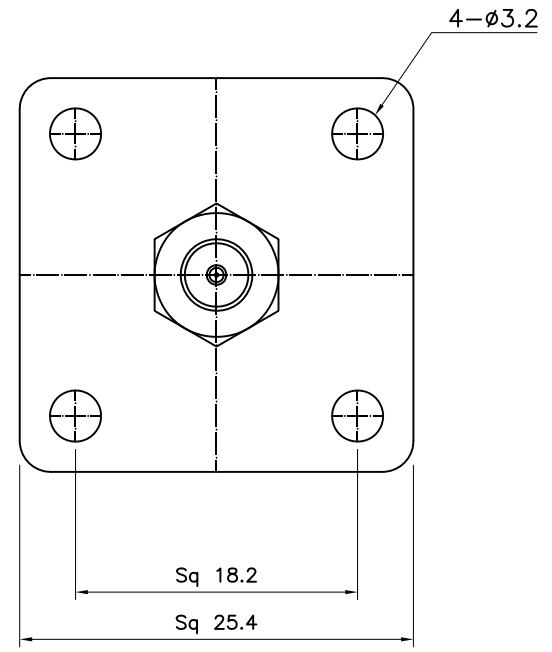
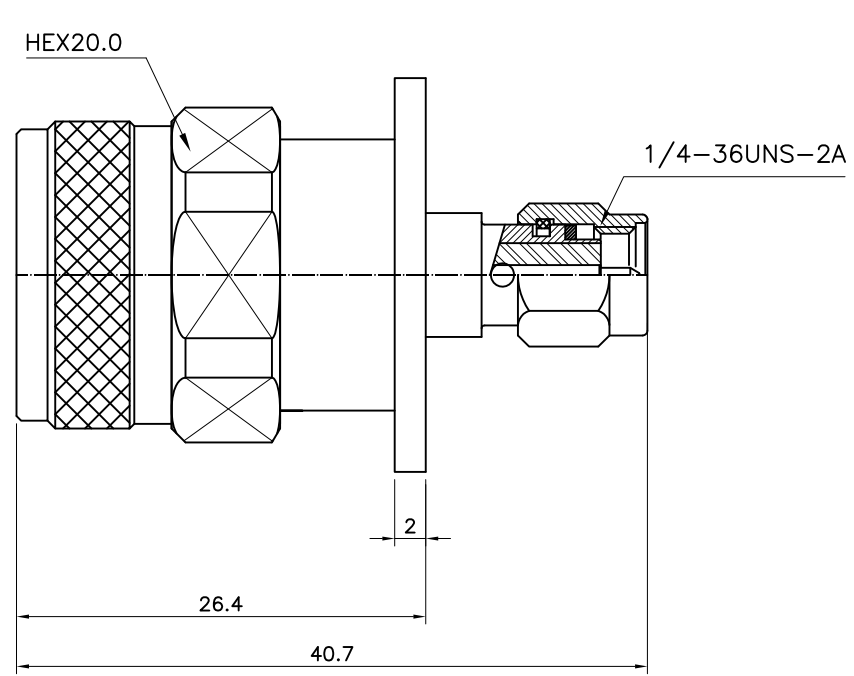


4	5	6
No.	Revision	Date
△		
△		

RoHS Compliant



Item	Materials	Plating
Coupling cap	BRASS	Nickel plated
Body	BRASS	Nickel plated
Center contact	BRASS	Gold Plated
Insulator	PTFE	-
Gasket	Silicone rubber	-

N PLUG-SMA PLUG ADAPTOR

VSWR ; max. 1.25:1 @ DC~18 GHz

CUSTOMER

NO.	DESCRIPTION	Q'TY	MATERIAL	FINISH	REMARKS.
PARTS No.	AD-1423-608		NAME	NP4H-SMAP ADAP.	APPROVED
MATERIAL	FINISH	TOLERANCES OTHERWISE SPEC. ±0.05		ANGLES ±1°	CHECKED
SCALE		UNIT	mm		DESIGNED S.J.LEE
DWG NO.		AD-1423-608			DATE. 16/AUG/2013

