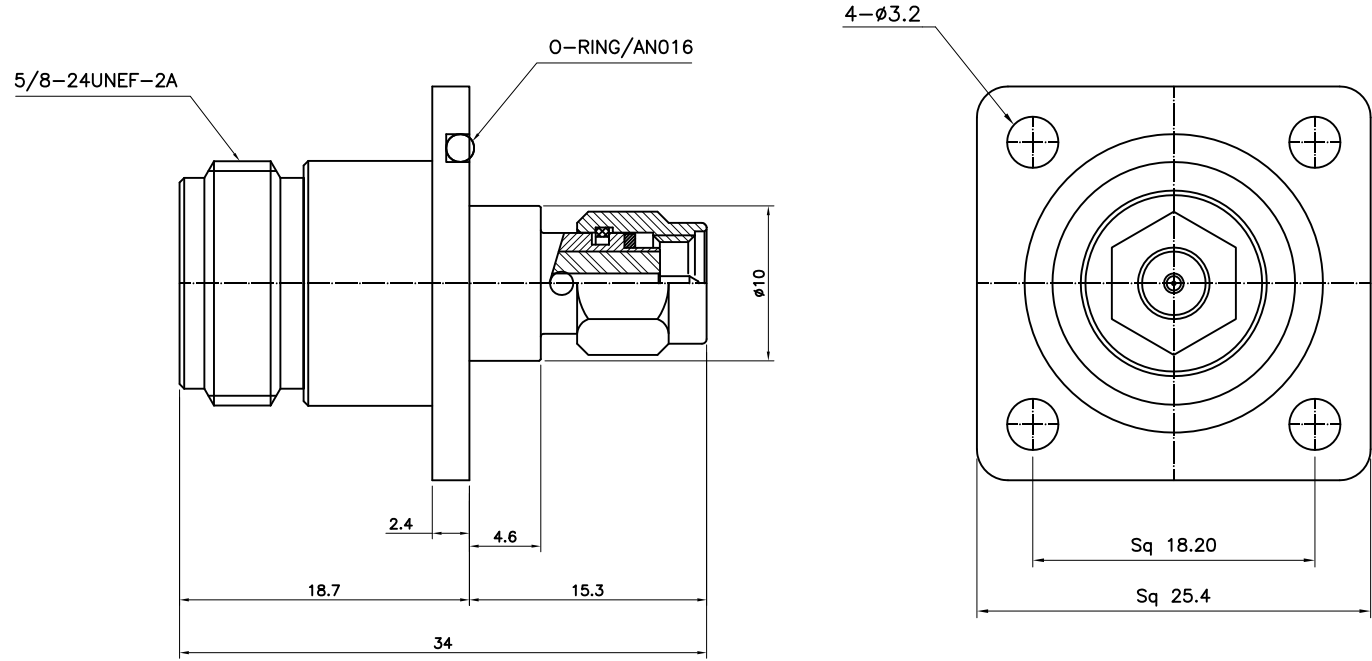


4	5	6	
No.	Revision	Date	Name
△	PN Change from 1A-136-1012G	16/08/2013	B.G.YUN
△			

RoHS Compliant



N 4H-JACK TO SMA PLUG ADAPTOR

Item	Materials	Plating
Body,Coupling	Brass	Nickel Plated
Center contact	Be-Cu	Gold Plated
Insulator	PTFE	-
O-Ring	Silicone rubber	-

VSWR; 1.20:1 @DC~12.4GHz

CUSTOMER

NO.	DESCRIPTION	Q'TY	MATERIAL	FINISH	REMARKS.
PARTS No.	AD-1423-609		NAME	NJ4H-SMAP-Adaptor	APPROVED
MATERIAL	FINISH	TOLERANCES		OTHERWISE SPEC. ±0.05	ANGLES ±1°
		SCALE	UNIT	mm	DESIGNED S.J.LEE
		DWG NO.		AD-1423-609	DATE. 03/MAY/2012

