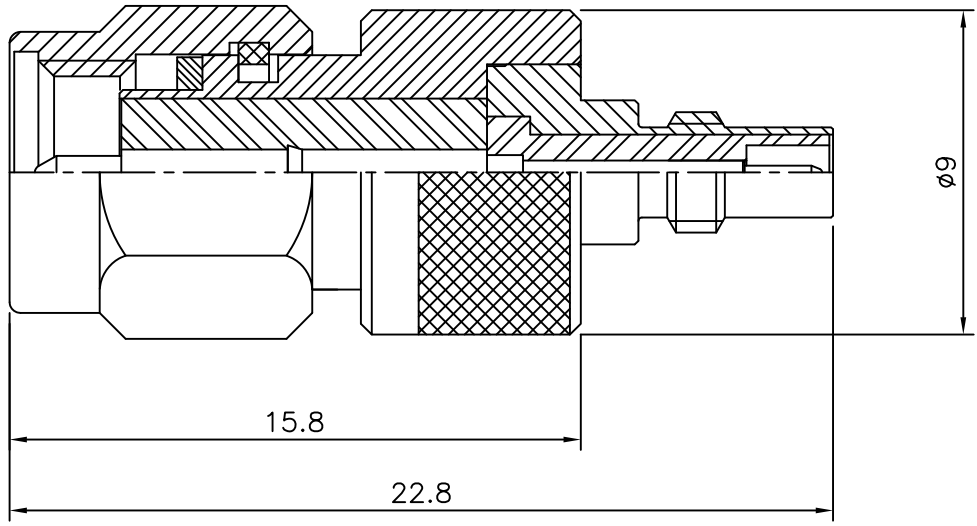


4	5	6
No.	Revision	Date
△		
△		

RoHS Compliant



Connector parts	Materials	Finish
Coupling Cap	Brass	Gold Plated
Body	Brass	Gold Plated
Center contact	Brass	Gold Plated
Gasket	Silicone rubber	-
Insulator	PTFE	-

SMA Male to SSMC male Jack
-Adaptor

NO.	DESCRIPTION	Q'TY	MATERIAL	FINISH	REMARKS.
PARTS No. AD-1428-201		NAME SMA-P TO SSMC-J ADAPTOR		APPROVED	
MATERIAL		FINISH		TOLERANCES OTHERWISE SPEC. ±0.05 ANGLES ±1°	
SCALE		UNIT mm		DESIGNED S.J.LEE	
DWG NO. AD-1428-201		DATE. 25/FEB/2005			

CUSTOMER

