

1 2 3 4 5 6

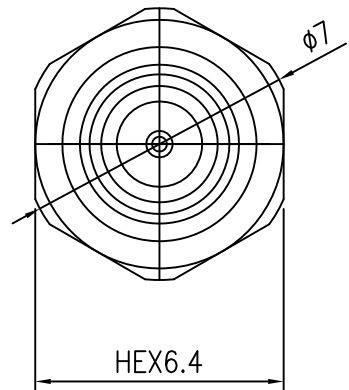
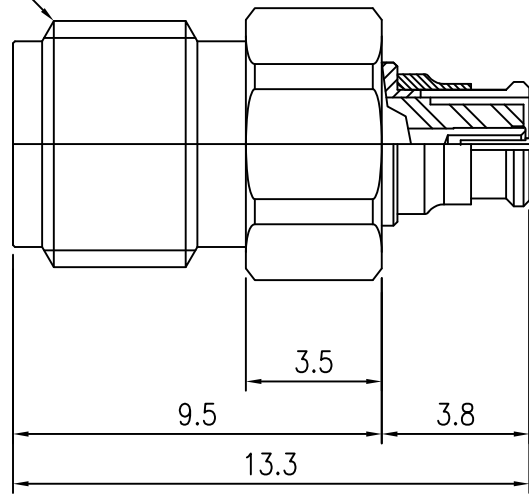
NOTES

Impedance: 50Ω
 Frequency range: DC ~ 6GHz
 VSWR: 1.15:1 @ 6GHz Max

No.	Revision	Date	Name
△			
△			

RoHS Compliant

1/4-36UNS-2A



Connector parts	Materials	Finish
Body	Brass	Gold Plated
Outer contact	Beryllium copper	Gold Plated
Anti lock ring	Beryllium copper	Gold Plated
Center contact	Beryllium copper	Gold Plated
Insulator	PTFE	-

SMA FEMALE to SMP FEMALE
 ADAPTOR

NO.	DESCRIPTION	Q'TY	MATERIAL	FINISH	REMARKS.
PARTS No.	AD-1430-403	NAME	SMAF-SMPF ADAP.		APPROVED
MATERIAL	FINISH	TOLERANCES OTHERWISE SPEC.	±0.05	ANGLES ±1°	CHECKED
SCALE	N/S	UNIT	mm		DESIGNED S.J.LEE
DWG NO.	AD-1430-403			DATE.	29/MAY/2012

CUSTOMER

