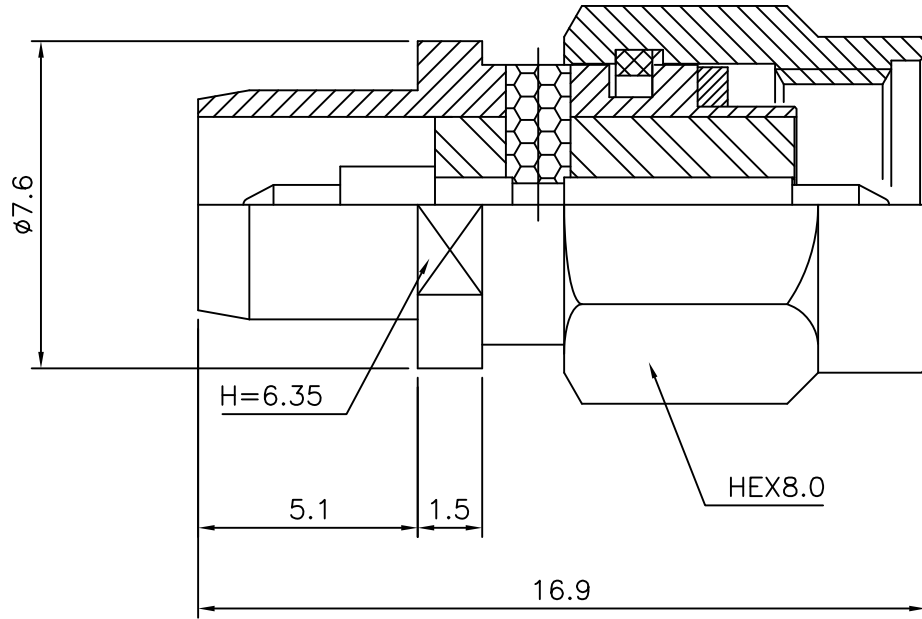


4	No.	Revision	5	Date	6
	△	PN Change from 1A-111-00		10/JUN/2014	S.J.PARK
	△				

RoHS Compliant



Item	Materials	Finish
Coupling Cap	Brass	SUCO Plated
Body	Brass	SUCO Plated
Center contact	Brass	Gold Plated
Insulator	PTFE	-
Gasket	Silicone rubber	-

SMA PLUG to BMA PLUG

NO.	DESCRIPTION	Q'TY	MATERIAL	FINISH	REMARKS.
PARTS No.	AD-1433-101	NAME	SMAP TO BMAP ADAP.		APPROVED
MATERIAL	FINISH	TOLERANCES OTHERWISE SPEC. ±0.05		ANGLES ±1°	CHECKED
SCALE		UNIT	mm		DESIGNED S.J.LEE
DWG NO.		AD-1433-101		DATE.	23/MAY/2013

CUSTOMER



DONGJIN TI.