

1 2 3 4 5 6

No.	Revision	Date	Name
△			
△			

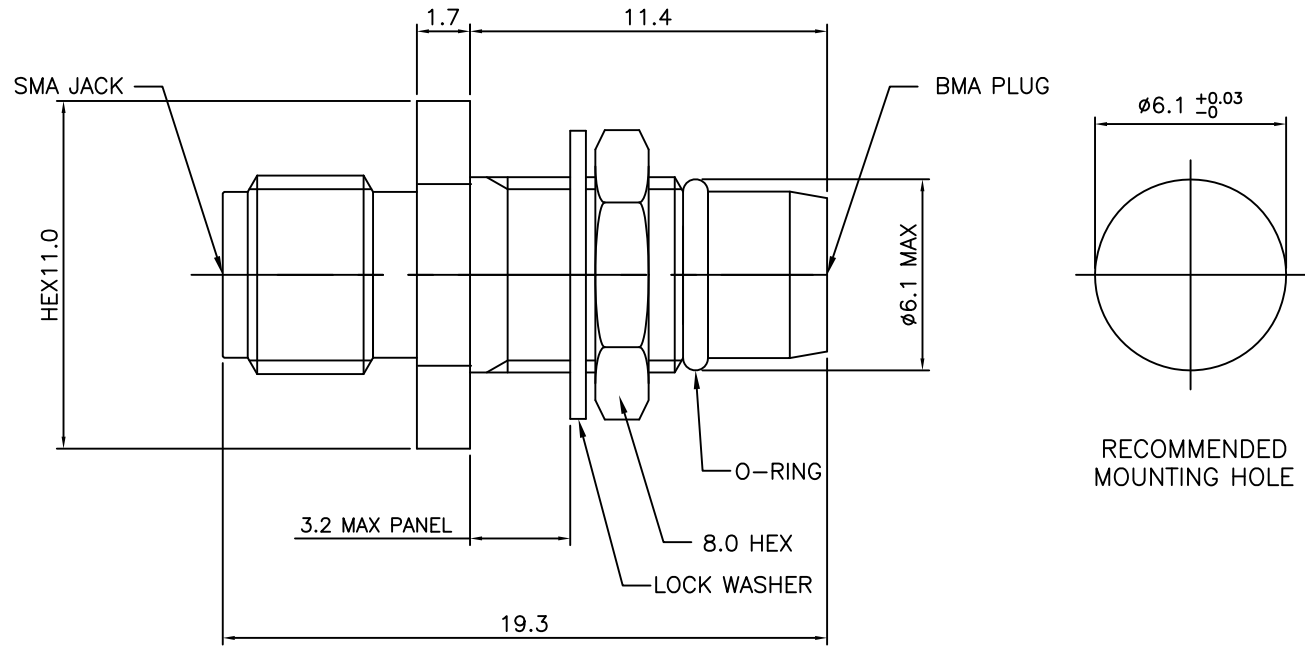
Environmental data

Impedance : 50 ohm
 Frequency Range : DC~18GHz
 Directric Withstanding Voltage : 750 VRMS
 Insulation Resistance : 5000MΩ min
 Operating Temperature : -55°C ~ 125°C
 V.S.W.R : 1.3:1 max @ 18GHz

RoHS Compliant

MECHANICAL DATA

Axial force : Mating end 27 N mini
 Axial force : Opposite end 27 N mini
 Mating life : 500 Cycles mini



SMA-JACK TO BMA BULKHEAD PLUG ADAPTOR

Connector parts	Materials	Finish
Body,Nut	Stainless steel	Passivate
Center contact	Beryllium copper	Gold Plated
Dielectric	PTFE	N/A
O-Ring	Silicone rubber	N/A

CUSTOMER

PARTS No. AD-1433-302		NAME SMA-JACK TO BMA BP ADAPTOR		APPROVED S.J.LEE
MATERIAL	FINISH	TOLERANCES OTHERWISE SPEC. ±0.05 ANGLES ±1°		CHECKED D.W.KANG
SCALE N/S		UNIT mm		DESIGNED J.M.JEON
DWG NO. AD-1433-302			DATE. 29/SEP/2011	

