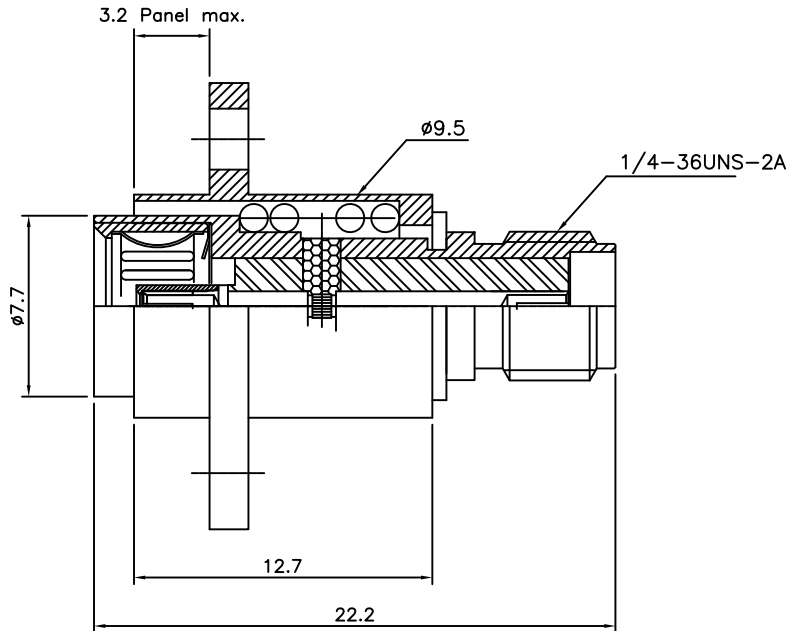
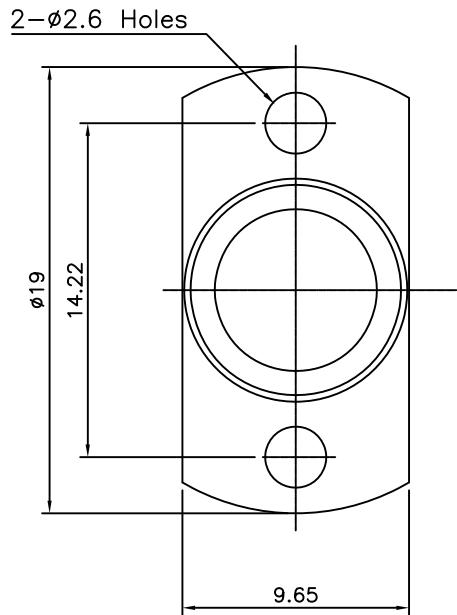


ELECTRICAL RATINGS

Impedance : 50 ohm
 Frequency Range : DC~18.0GHz
 V.S.W.R : 1.10 +0.1x \sqrt{F} (GHz) Max
 Insertion loss : 0.05 \sqrt{F} (GHz) dB Max
 Working Voltage : 350 VRMS max
 Dielectric Withstanding Voltage : 1000V min
 Insulation Resistance : 5000M Ω min
 Temperature range : -55~+125°C

No.	Revision	Date	Name
△			
△			

RoHS Compliant



Connector parts	Materials	Finish
Housing	Stainless steel	Passivated
Body,Nut	Stainless steel	Passivated
Center contact	BeCu	Gold Plated
Outer contact	BeCu	Gold Plated
Insulator	PTFE	-
Spring	Stainless steel	Passivated

BMA 2H FEMALE to SMA JACK
 ADAPTOR
 Floating Flange Mount

NO.	DESCRIPTION	Q'TY	MATERIAL	FINISH	REMARKS.
PARTS No.	AD-1433-403		NAME	BMA2HF-SMAJ ADAP.	APPROVED
MATERIAL	FINISH	TOLERANCES OTHERWISE SPEC. ±0.05		ANGLES ±1°	CHECKED
SCALE		UNIT	mm		DESIGNED S.J.LEE
DWG NO.		AD-1433-403		DATE	23/NOV/2011

CUSTOMER

DONGJIN TI.