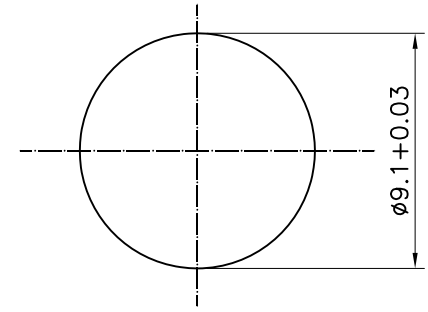
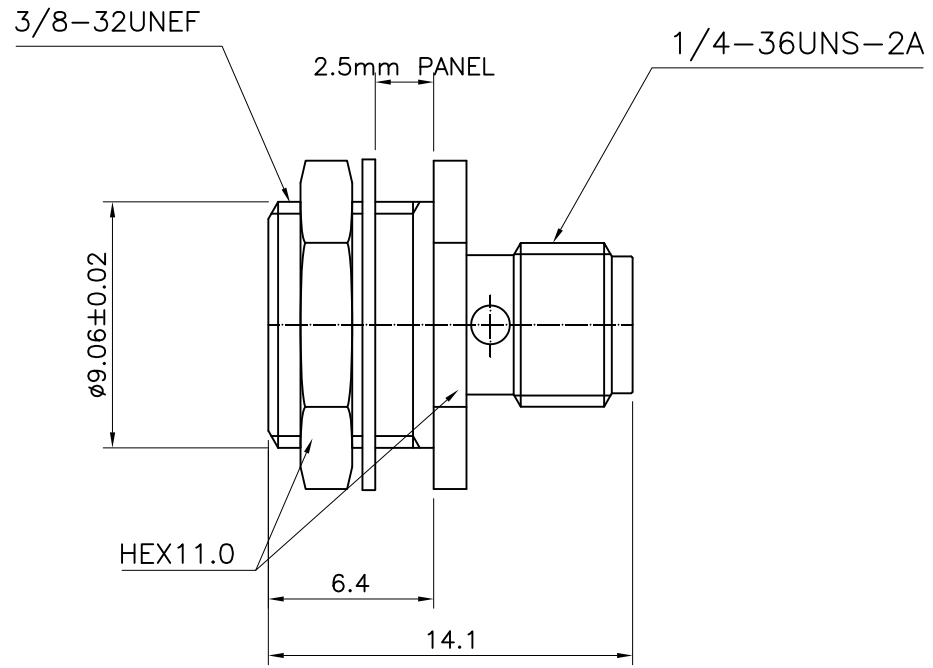


4	No.	Revision	Date	Name
	△			
	△			

RoHS Compliant



MOUNTING HOLES

BMA-Bulkhead FEMALE to SMA FEMALE ADAPTOR

Connector parts	Materials	Finish
Housing	Stainless steel	Passivated
Body,Nut	Stainless steel	Passivated
Center contact	BeCu	Gold Plated
Outer contact	BeCu	Gold Plated
Insulator	PTFE	-
Washer	Brass	Nickel Plated

**CUSTOMER**

NO.	DESCRIPTION	Q'TY	MATERIAL	FINISH	REMARKS.
PARTS No.	AD-1433-501	NAME	BMABJ-SMAJ ADAP.		APPROVED
MATERIAL	FINISH	TOLERANCES OTHERWISE SPEC. ±0.05		ANGLES ±1°	CHECKED
SCALE		UNIT	mm		DESIGNED S.J.LEE
		DWG NO.	AD-1433-501		DATE. 21/MAR/2013