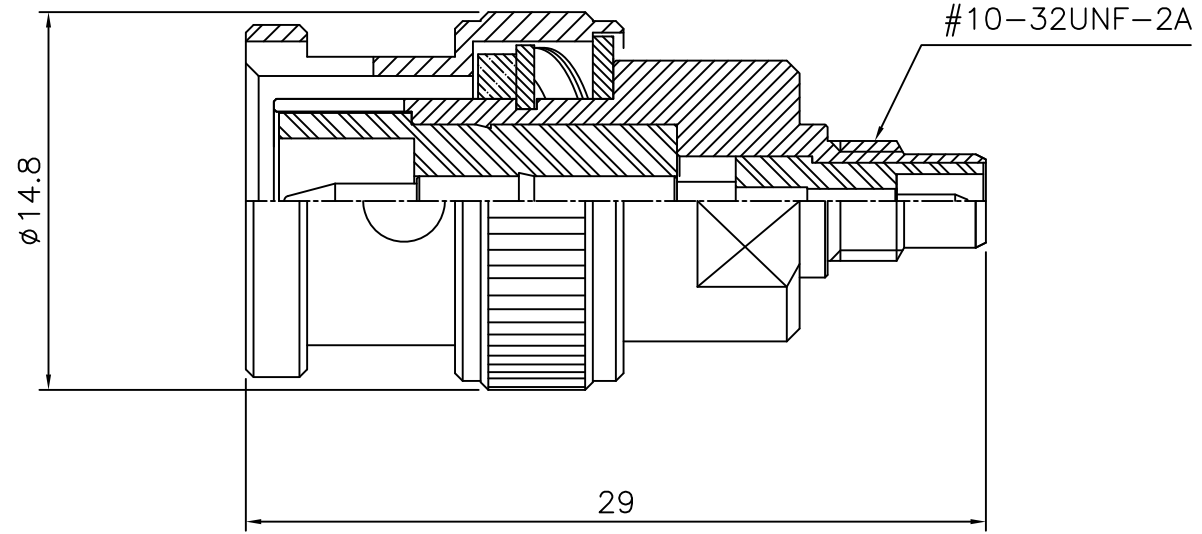


4	No.	Revision	5	Date	6	Name
	▲	PN Change from 1A-1511-02		22/OCT/2013		S.J.PARK
	▲					

RoHS Compliant



BNC Male Plug-SMC Male Jack  
500Hm-ADAPTOR

Item	Materials	Plating
Coupling Cap	Zinc	Nickel Plated
Body	Brass	Nickel Plated
Center contact	Brass	Gold Plated
Insulator	PTFE	-

NO.	DESCRIPTION	Q'TY	MATERIAL	FINISH	REMARKS.
PARTS No.	AD-1721-301		NAME	BNCP-SMCJ ADAP.	APPROVED
MATERIAL	FINISH	TOLERANCES OTHERWISE SPEC. ±0.05		ANGLES ±1°	CHECKED
SCALE		UNIT	mm		DESIGNED S.J.LEE
DWG NO.		AD-1721-301		DATE.	07/JUL/2010

**CUSTOMER**

