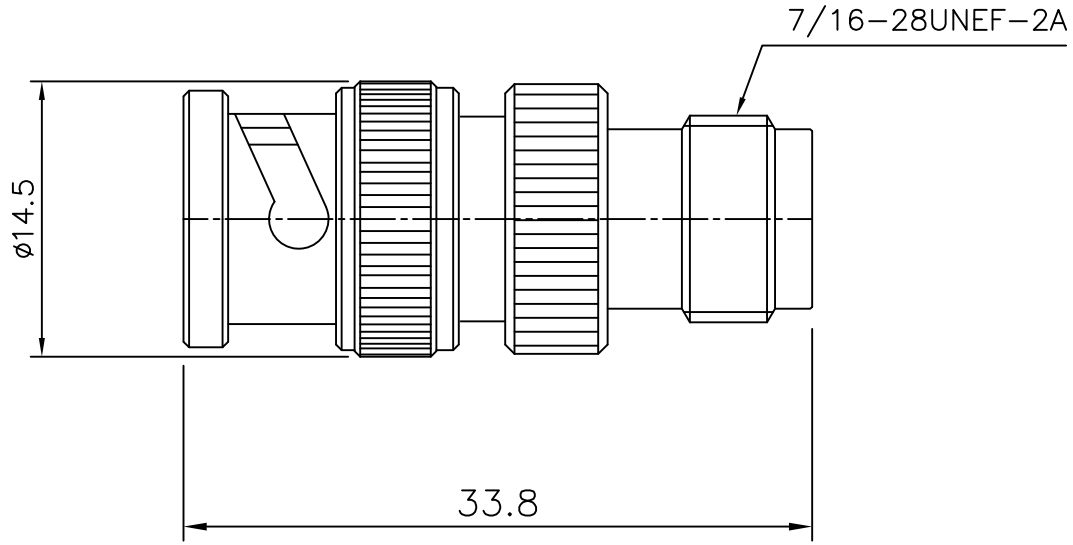


4	No.	Revision	Date	Name
	▲	PN Change from 1A-453-00	22/OCT/2013	S.J.PARK
	▲			

RoHS Compliant



Item	Materials	Plating
Coupling	Zinc	Nickel Plated
Body	Brass	Nickel Plated
Center contact	Be-Cu	Gold Plated
Insulator	PTFE	-

TNC JACK to BNC PLUG Adaptor

NO.	DESCRIPTION	Q'TY	MATERIAL	FINISH	REMARKS.
PARTS No.	AD-1921-301		NAME	TNCJ-BNCP-Adap.	APPROVED
MATERIAL	FINISH	TOLERANCES OTHERWISE SPEC. ± 0.05		ANGLES $\pm 1^\circ$	CHECKED
SCALE		UNIT	mm		DESIGNED S.J.LEE
DWG NO.		AD-1921-301		DATE. 03/MAY/2008	

CUSTOMER

