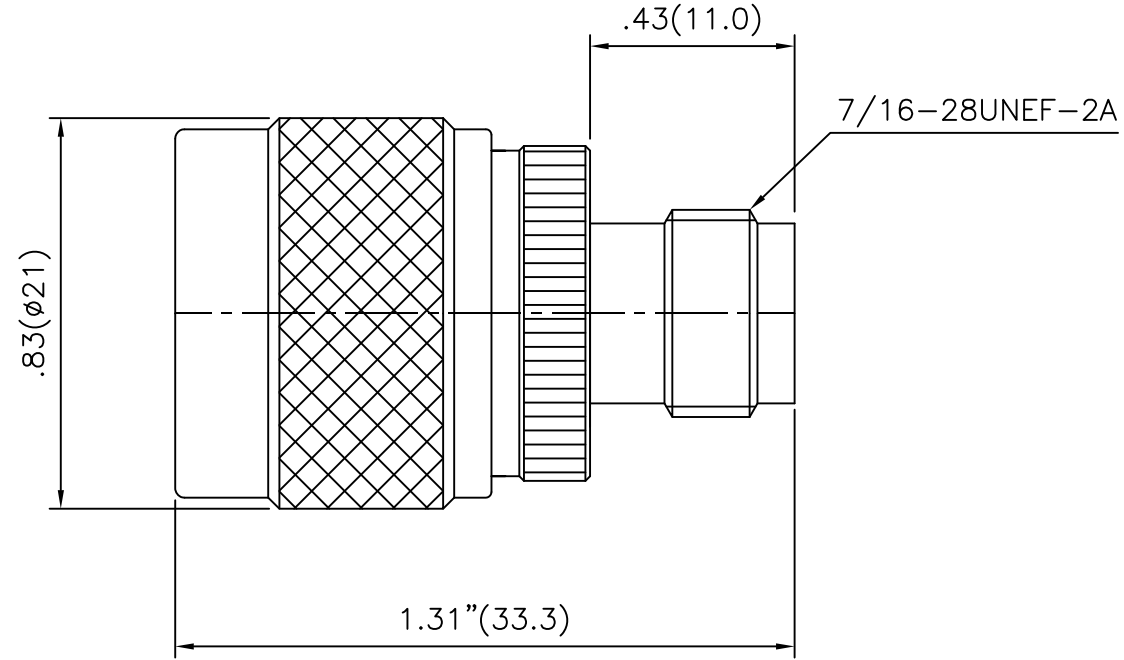


1 2 3 4 5 6

No.	Revision	Date	Name
△			
△			

RoHS Compliant



N PLUG to TNC JACK Adaptor

Item	Materials	Plating
Body	Brass	Nickel Plated
Center contact	Beryllium copper	Silver Plated
Insulator	PTFE	-

NO.	DESCRIPTION	Q'TY	MATERIAL	FINISH	REMARKS.
PARTS No.	AD-1923-305		NAME	NP-TNCJ ADAP.	APPROVED
MATERIAL	FINISH	TOLERANCES OTHERWISE SPEC. ±0.05		ANGLES ±1°	CHECKED
<i>CUSTOMER</i>		SCALE	UNIT mm		DESIGNED S.J.LEE
		DWG NO.	AD-1923-305		DATE. 12/JUL/2013

D
C
B
A