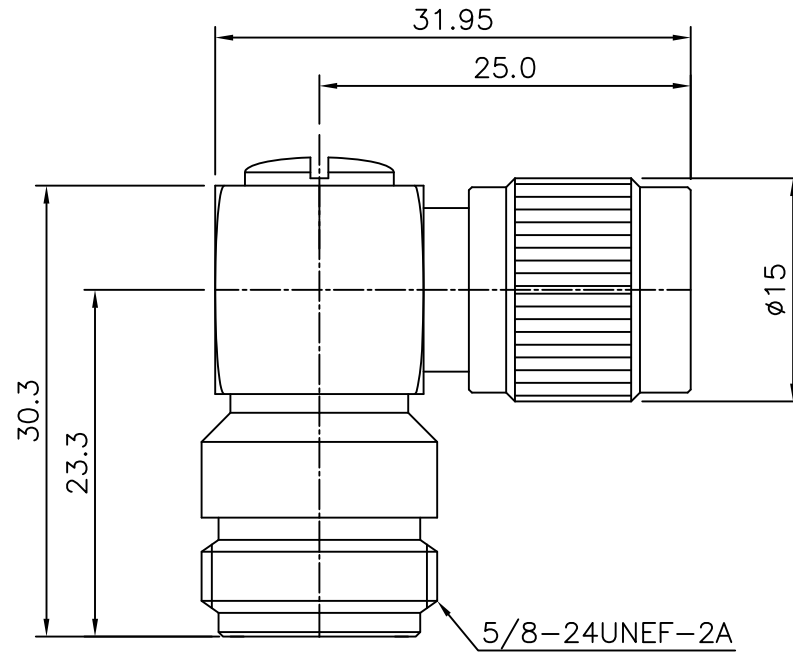


No.	Revision	Date	Name
△1	PN Change from 1A-346-00	19/FEB/2014	S.J.PARK
△			

RoHS Compliant



N JACK R/A TO TNC PULG  
-ADAPTOR

Item	Materials	Plating
Body	Brass	Nickel Plated
Coupling cap	Brass	Nickel Plated
Center contact	Brass	Gold Plated
	BeCu	Gold Plated
Insulator	PTFE	-

CUSTOMER

NO.	DESCRIPTION	Q'TY	MATERIAL	FINISH	REMARKS.
PARTS No.	AD-1923-701	NAME	N J R/A TNC P-Adaptor		APPROVED
MATERIAL	FINISH	TOLERANCES	OTHERWISE SPEC. ±0.05 ANGLES ±1°		CHECKED
		SCALE	UNIT		DESIGNED
			mm		S.J.LEE
		DWG NO.	AD-1923-701		DATE.
					11/MAY/2005



DONGJIN TI.