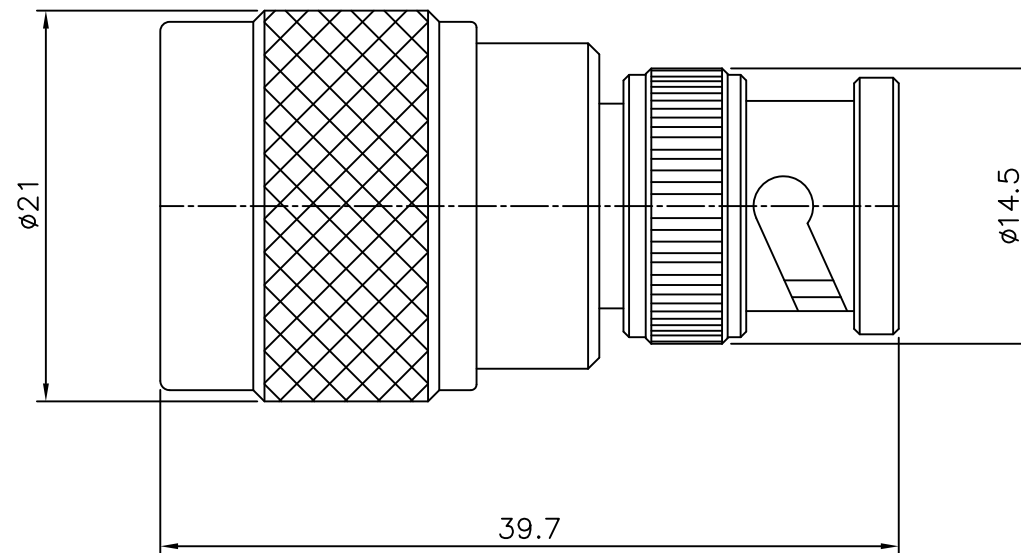


No.	Revision	Date	Name
△	PN Change from 1A75-351-00	19/FEB/2014	S.J.PARK
△			



N PLUG to BNC PLUG-Adaptor  
(75 OHm)

Item	Materials	Plating
Coupling cap	Brass	Nickel Plated
Body	Brass	Nickel Plated
Center contact	Brass	Gold Plated
Insulator	PTFE	-

NO.	DESCRIPTION	Q'TY	MATERIAL	FINISH	REMARKS.
PARTS No.	AD-2224-101		NAME	N/P-BNC/P-Adaptor	APPROVED
MATERIAL	FINISH	TOLERANCES OTHERWISE SPEC. ±0.05		ANGLES ±1°	CHECKED
SCALE		UNIT	mm		DESIGNED S.J.LEE
DWG NO.		AD-2224-101		DATE. 2001.5/04	

**CUSTOMER**



DONGJIN TI.