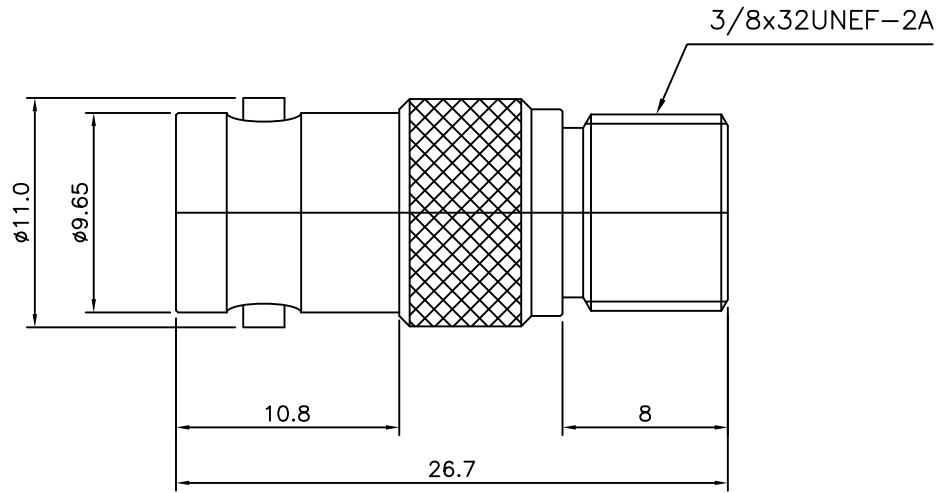


4	No.	Revision	Date	Name
	△	PN Change from 1A75-594-00	20/FEB/2014	B.G.YUN
	△			

RoHS Compliant



BNC JACK TO F JACK - Adaptor
(75 Ohm)

Item	Materials	Plating
Body	Brass	Nickel Plated
Center contact	Beryllium copper	Gold Plated
Insulator	PTFE	-

CUSTOMER

NO.	DESCRIPTION	Q'TY	MATERIAL	FINISH	REMARKS.
PARTS No.	AD-2239-401	NAME	BNCJ-FJ Adap.(75)		APPROVED
MATERIAL	FINISH	TOLERANCES OTHERWISE SPEC. ±0.05		ANGLES ±1°	CHECKED
SCALE		UNIT	mm		DESIGNED S.J.LEE
DWG NO.		AD-2239-401		DATE. 28/MAR/2012	

