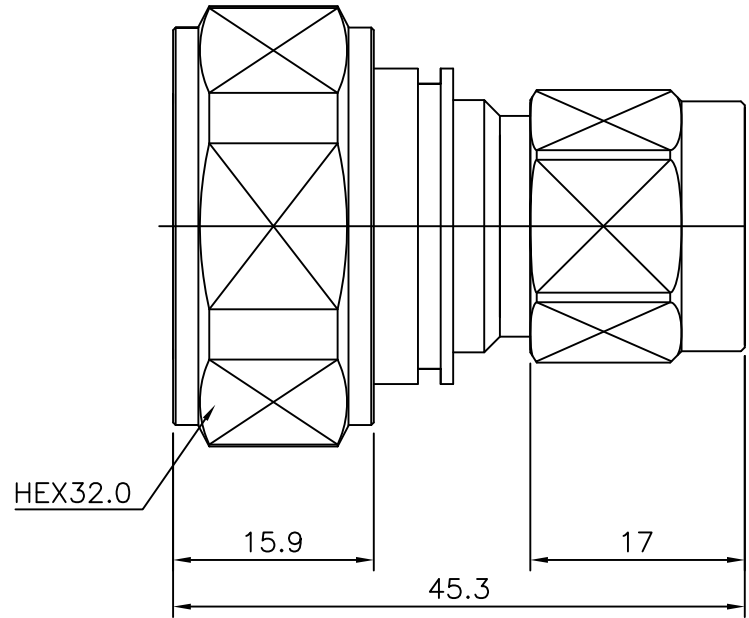


4	No.	Revision	Date	Name
	△			
	△			

RoHS Compliant



Environmental data

Frequency range : DC ~ 6GHz
 V.S.W.R : 1.20 : 1 Max
 PIMD : 165 dBc min(2x20W)
 Operating Temperature : -45°C ~ 120°C

Connector parts	Materials	Finish
Body	Brass	SUCO Plated
Coupling cap	Brass	SUCO Plated
Center contact	Brass	Silver Plated
Insulator	TFFLON	-
O-RING	Silicone Rubber	-

DIN TYPE(M) TO N-TYPE(M) ADAPTOR

NO.	DESCRIPTION	Q'TY	MATERIAL	FINISH	REMARKS.
PARTS No.	AD-2336-102		NAME DIN TYPE(M) TO N-TYPE(M) ADAP		APPROVED K.Y.SON
MATERIAL	FINISH	TOLERANCES OTHERWISE SPEC. ±0.05		ANGLES ±1°	CHECKED M.K.KIM
CUSTOMER		SCALE	UNIT mm		DESIGNED S.J.PARK
		DWG NO. AD-2336-102		DATE. 25/SEP/2013	