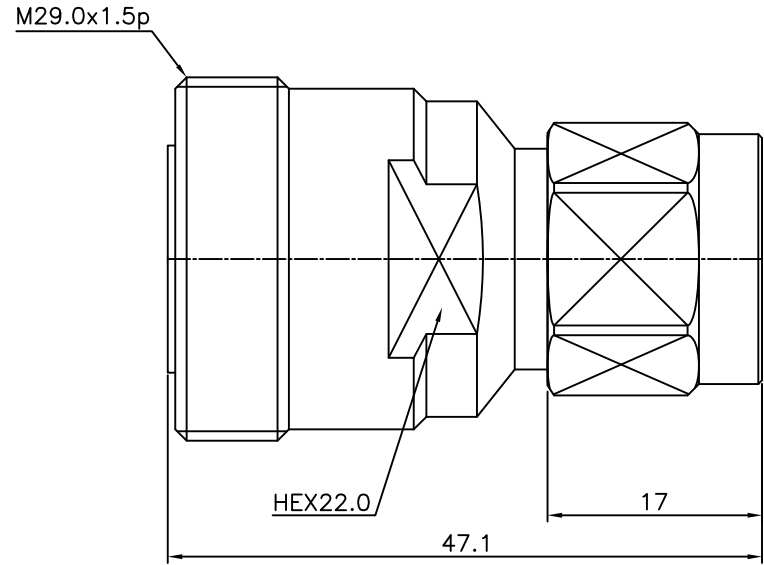


4	5	6
No.	Revision	Date
△		
△		

RoHS Compliant



Environmental data

Frequency range : DC ~ 6GHz
 V.S.W.R : 1.20 : 1 Max
 PIMD : 165 dBc min(2x20W)
 Operating Temperature : -45°C ~ 120°C

Connector parts	Materials	Finish
Body	Brass	Suco Plated
Coupling cap	Brass	Suco Plated
Center contact	Be-cu	Silver Plated
Insulator	TFFLON	-

DIN7/16 TYPE(F) TO N-TYPE(M) ADAPTOR

NO.	DESCRIPTION	Q'TY	MATERIAL	FINISH	REMARKS.
PARTS No.	AD-2336-203		NAME DIN7/16 TYPE(F) TO N-TYPE(M) ADAP		APPROVED K.Y.SON
MATERIAL	FINISH	TOLERANCES OTHERWISE SPEC. ±0.05		ANGLES ±1°	CHECKED M.K.KIM
SCALE		UNIT mm	DESIGNED S.J.PARK		
DWG NO.		AD-2336-203		DATE. 25/SEP/2013	

CUSTOMER



DONGJIN TI.