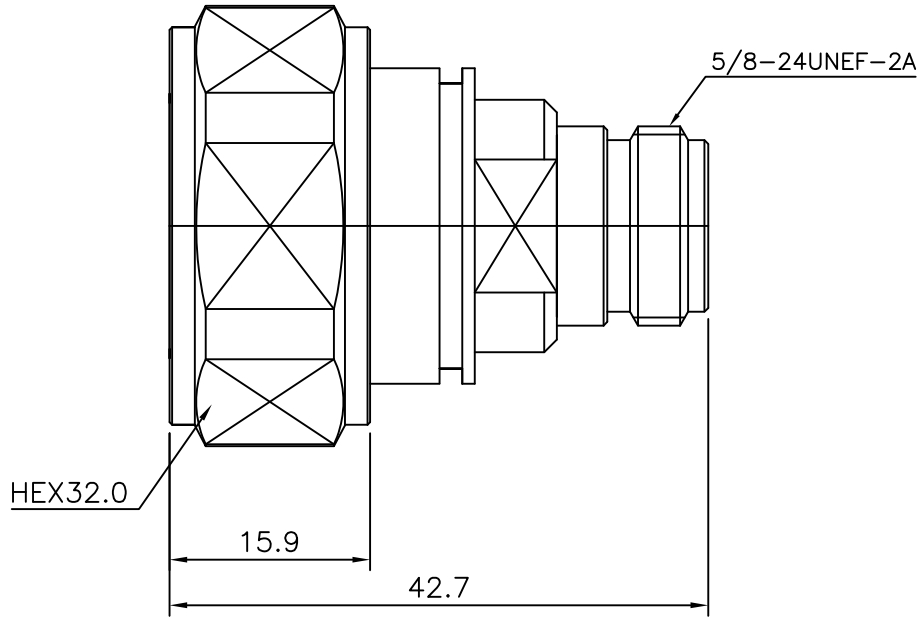


4	5	6
No.	Revision	Date
△		
△		

RoHS Compliant



Environmental data

Frequency range : DC ~ 6GHz  
 V.S.W.R : 1.20 : 1 Max  
 PIMD : 165 dBc min(2x20W)  
 Operating Temperature : -45°C ~ 120°C

Connector parts	Materials	Finish
Body	Brass	SUCO Plated
Coupling cap	Brass	SUCO Plated
Center contact	Be-cu	Silver Plated
Insulator	TFFLON	-
O-RING	Silicone Rubber	-

DIN TYPE(M) TO N-TYPE(F) ADAPTOR

NO.	DESCRIPTION	Q'TY	MATERIAL	FINISH	REMARKS.
PARTS No.	AD-2336-307		NAME DIN TYPE(M) TO N-TYPE(F) ADAP		APPROVED K.Y.SON
MATERIAL	FINISH	TOLERANCES OTHERWISE SPEC. ±0.05		ANGLES ±1°	CHECKED M.K.KIM
CUSTOMER		SCALE	UNIT mm		DESIGNED S.J.PARK
		DWG NO. AD-2336-307		DATE. 25/SEP/2013	