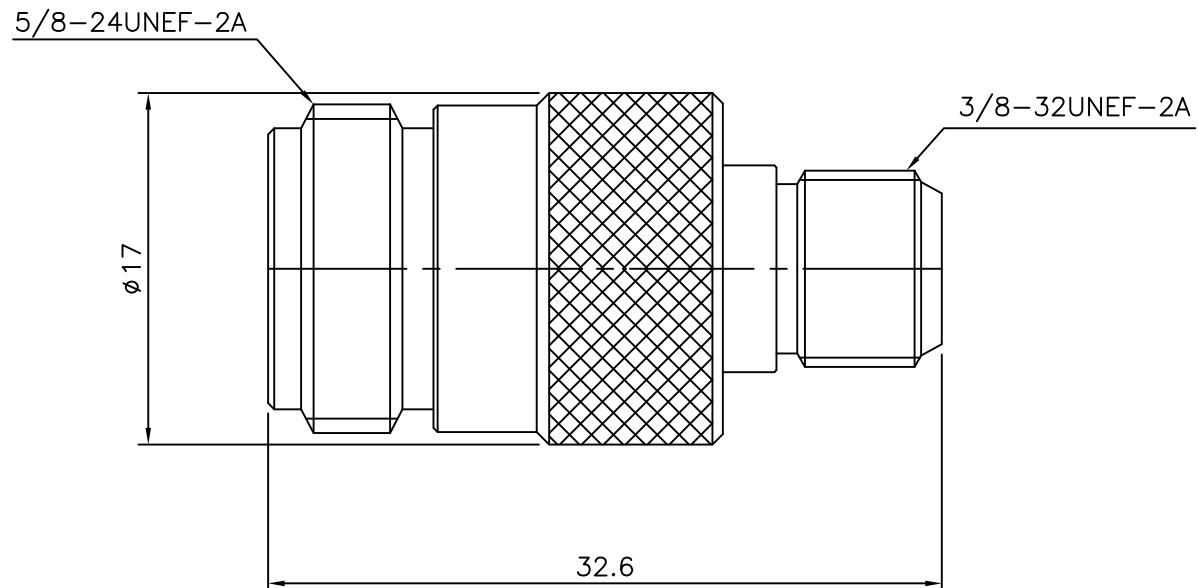


No.	Revision	Date	Name
△1	PN Change from 1A75-394-00	19/FEB/2014	S.J.PARK
△			



Item	Materials	Plating
Body	Brass	Nickel Plated
Center contact	Be-Cu	Gold Plated
Insulator	PTFE	-

N JACK TO F-JACK-ADAPTOR
(75 OHM)

PARTS No. AD-2439-401		NAME N/J-F/J-Adaptor		APPROVED
MATERIAL	FINISH	TOLERANCES OTHERWISE SPEC. ±0.05 ANGLES ±1°		CHECKED
		SCALE	UNIT mm	DESIGNED S.J.LEE
		DWG NO. AD-2439-401		DATE. 19/OCT/2004

CUSTOMER