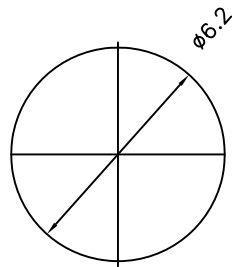
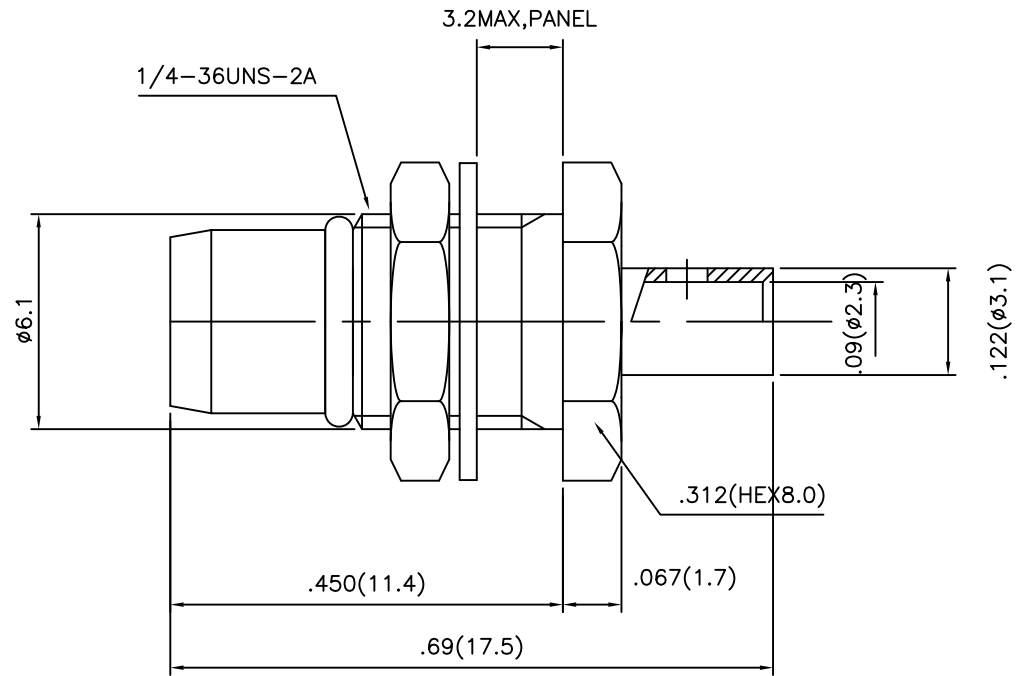


4	5	6
No.	Revision	Date
△		
△		

RoHS Compliant



Mounting Hole



Connector parts	Materials	Finish
Body,Nut,Washer	Brass	White bronze plated
Center contact	Beryllium copper	Gold Plated
Insulator	PTFE	-
O-Ring	Silicon rubber	-

BMA-Straight Bulkhead PLUG
for Cable-UT085

NO.	DESCRIPTION	Q'TY	MATERIAL	FINISH	REMARKS.
PARTS No.	BMA-401-001	NAME	BMA-BP085		APPROVED
MATERIAL	FINISH	TOLERANCES OTHERWISE SPEC. ± 0.05		ANGLES $\pm 1^\circ$	CHECKED
SCALE		UNIT	mm		DESIGNED S.J.LEE
DWG NO.		BMA-401-001		DATE.	03/JUL/2012

CUSTOMER

