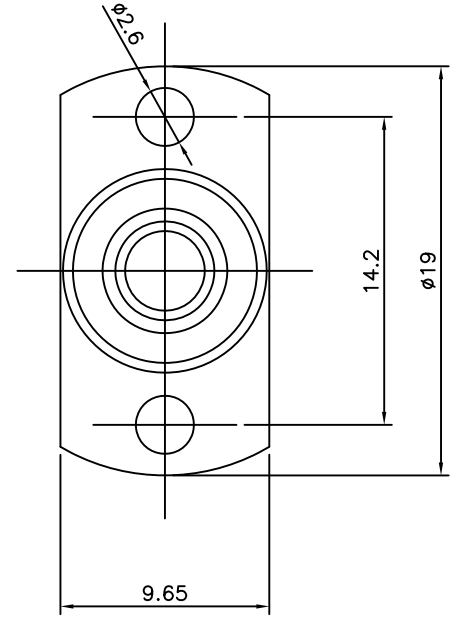
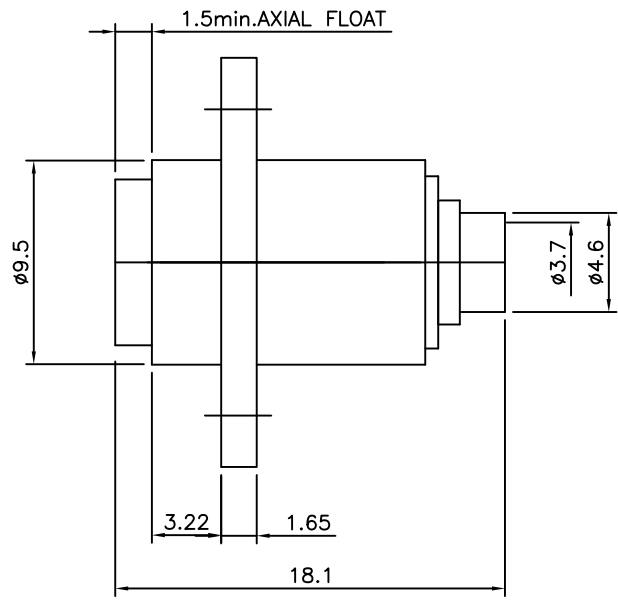


4	5	6
No.	Revision	Date
△	PN Change from 1BMA-406S-001	11/14/2013
△		
		Name
		S.J.PARK

RoHS Compliant

ELECTRICAL RATINGS

Impedance : 50 ohm
 Frequency Range : DC~18.0GHz
 V.S.W.R : 1.10 +0.1xF(GHz)
 Insertion loss : 0.05 √F(GHz)
 Working Voltage : 350 VRMS max
 Dielectric Withstanding Voltage : 1000V min
 Insulation Resistance : 5000MΩ min
 Temperature range : -55~+125°C



BMA-2Hole Flange Mount Cable JACK
 Floating Rear Mount
 for Cable-UT141
 (CAPTURED CENTER CONTACT)

Connector parts	Materials	Finish
Housing	Stainless steel	Passivated
Body	Stainless steel	Gold Plated
Center contact	BeCu	Gold Plated
Outer contact	BeCu	Gold Plated
Insulator	PTFE	-

CUSTOMER

NO.	DESCRIPTION	Q'TY	MATERIAL	FINISH	REMARKS.
PARTS No.	BMA-402-001		NAME	BMA-F-2H141	APPROVED S.J.LEE
MATERIAL	FINISH	TOLERANCES OTHERWISE SPEC. ±0.05		ANGLES ±1°	CHECKED
		SCALE	UNIT mm		DESIGNED S.J.PARK
		DWG NO.	BMA-402-001		DATE. 15/NOV/2013