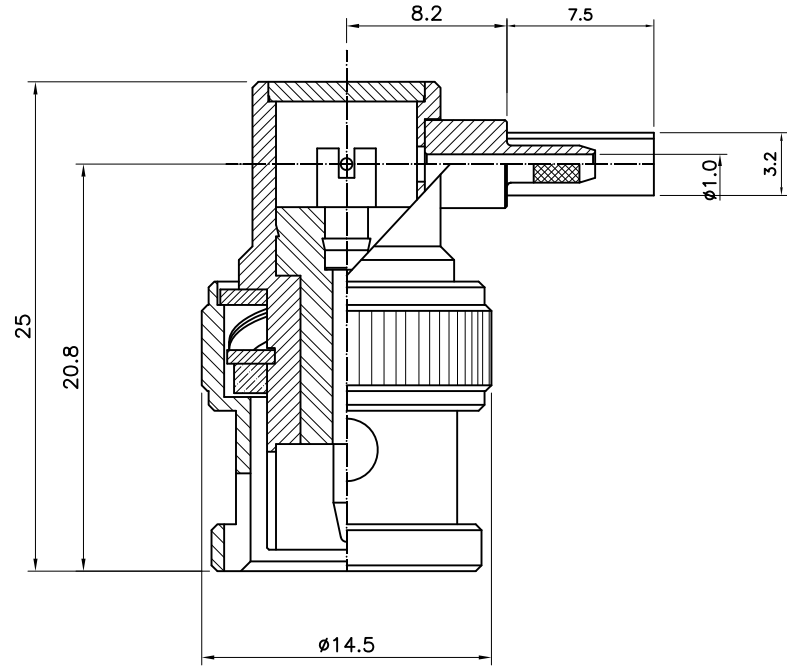


No.	Revision	Date	Name
△1	PN Change from 1B-310-00	23/08/2013	B.G.YUN
△			

RoHS Compliant



BNC-Right angle-PLUG  
for Cable-RG178

Connector parts	Materials	Finish
Coupling Cap	Zinc	Nickel Plated
Body	Brass	Nickel Plated
Center contact	Brass	Gold Plated
Ferrule	Brass	Nickel Plated
Insulator	PTFE	-

NO.	DESCRIPTION	Q'TY	MATERIAL	FINISH	REMARKS.
PARTS No.	BNC-310-001	NAME	BNC-LP178		APPROVED
MATERIAL	FINISH	TOLERANCES	OTHERWISE SPEC. ±0.05		ANGLES ±1°
SCALE	UNIT	mm		DESIGNED	S.J.LEE
DWG NO.		BNC-310-001		DATE.	23/AUG/2013

CUSTOMER

