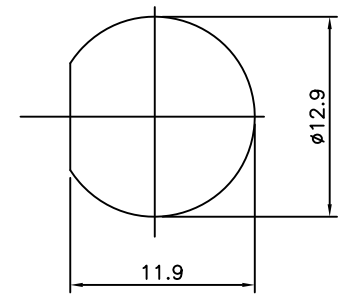
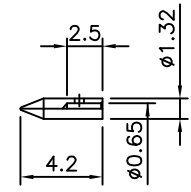
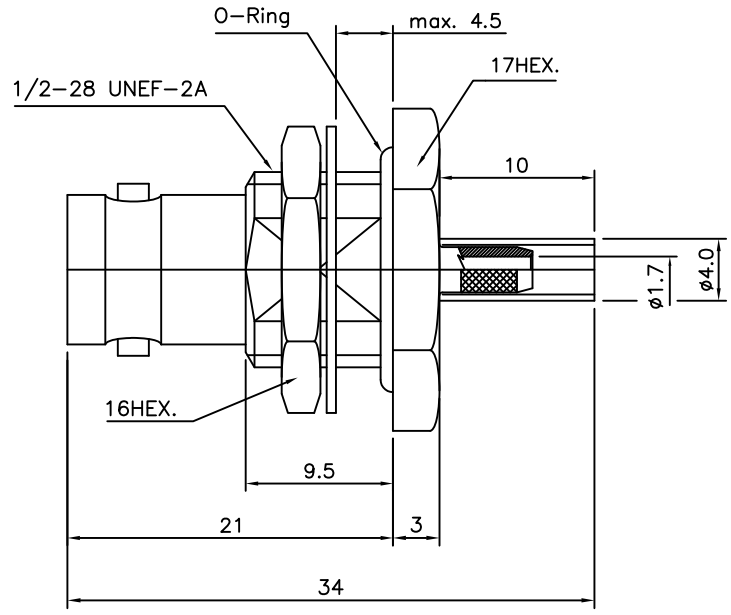


4	5	6	
No.	Revision	Date	Name
△	PN Change from 1B-411-00	26/06/2013	B.G.YUN
△			

RoHS Compliant



MOUNTING HOLES

BNC-Bulkhead Rear Mount JACK
with Panel SEAL (IP67)
for Cable-RG316

Item	Materials	Plating
Body,Nut ,Washer	Brass	Nickel Plated
Center contact	Be-Cu	Gold Plated
Ferrule	Brass	Nickel Plated
Insulator	PTFE	-
O-Ring	Silicone rubber	-

CUSTOMER

NO.	DESCRIPTION	Q'TY	MATERIAL	FINISH	REMARKS.
PARTS No.	BNC-411-001	NAME	BNC-BR/J-316		APPROVED
MATERIAL	FINISH	TOLERANCES OTHERWISE SPEC. ±0.05		ANGLES ±1°	CHECKED
SCALE		UNIT	mm		DESIGNED S.J.LEE
DWG NO.		BNC-411-001		DATE.	06/SEP/2007

