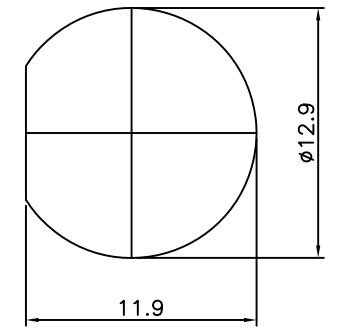
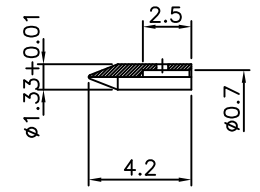
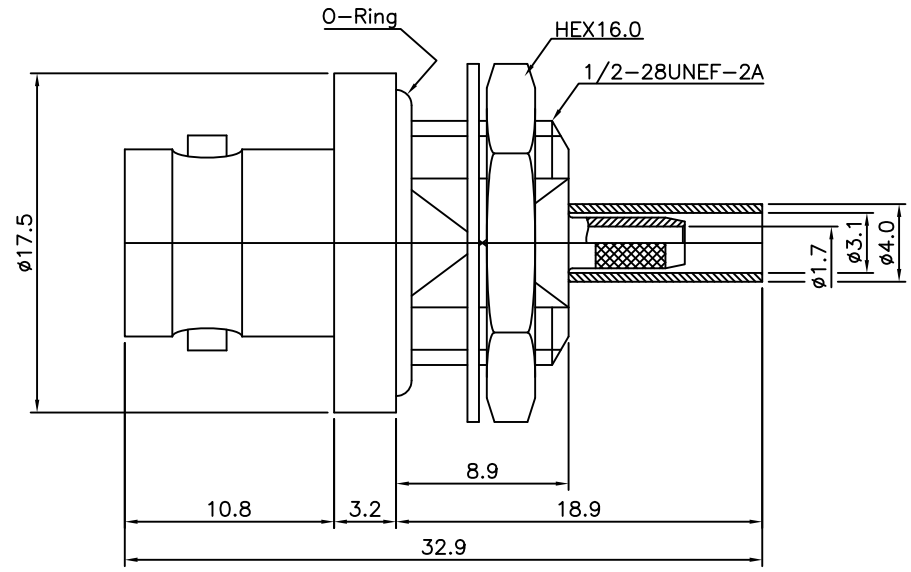


4	5	6	
No.	Revision	Date	Name
▲	PN Change from 1B-411-F229	09/APR/2014	S.J.PARK
▲			



MOUNTING HOLES

BNC-Bulkhead Front Mount JACK
w/h Panel seal
for Cable-RG316

Item	Materials	Plating
Body,Nut,Washer	Brass	Nickel Plated
Center contact	Be-Cu	Gold Plated
Insert pin	Brass	Gold Plated
Insulator	PTFE	-
O-Ring	Silicone rubber	-

CUSTOMER

NO.	DESCRIPTION	Q'TY	MATERIAL	FINISH	REMARKS.
PARTS No.	BNC-411-002		NAME	BNC-BRF/J-316	APPROVED
MATERIAL	FINISH	TOLERANCES OTHERWISE SPEC. ±0.05		ANGLES ±1°	CHECKED
SCALE		UNIT	mm		DESIGNED S.J.LEE
DWG NO.		BNC-411-002		DATE.	18/SEP/2007

