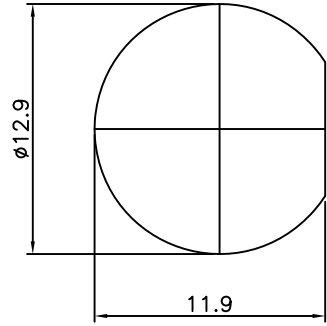
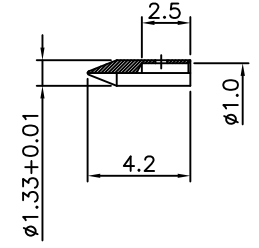
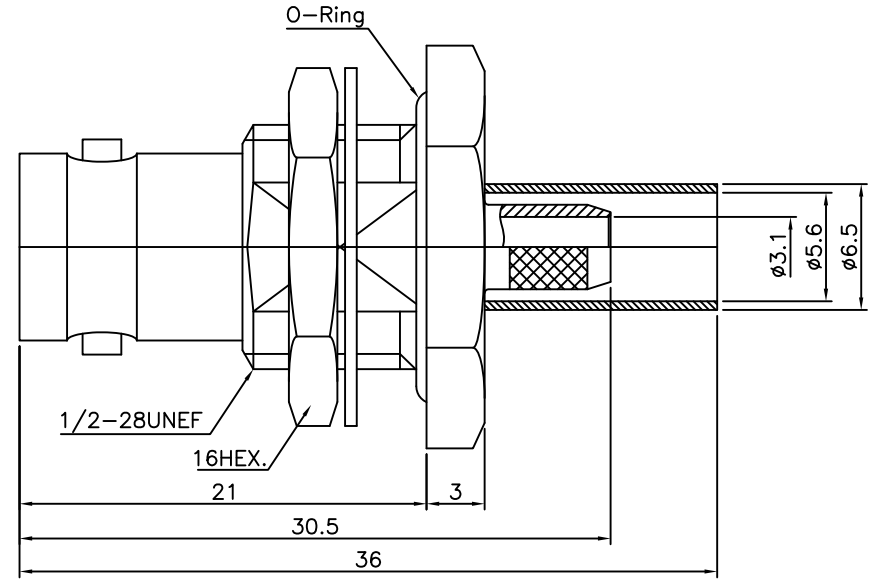


4	5	6	
No.	Revision	Date	Name
△	PN Change from 1B-412-00	07/APR/2014	S.J.PARK
△			

RoHS Compliant



MOUNTING HOLES



BNC-Bulkhead Rear Mount JACK  
w/h Panel SEAL  
for Cable-RG400

Item	Materials	Plating
Body	Brass	Nickel Plated
Center contact	Be-Cu	Gold Plated
Ferrule	Brass	Nickel Plated
Insulator	PTFE	-
O-Ring	Silicone rubber	-

CUSTOMER

NO.	DESCRIPTION	Q'TY	MATERIAL	FINISH	REMARKS.
PARTS No.	BNC-412-001	NAME	BNC-BH JACK 400		APPROVED
MATERIAL	FINISH	TOLERANCES OTHERWISE SPEC. ±0.05		ANGLES ±1°	CHECKED
		SCALE	UNIT mm		DESIGNED S.J.LEE
		DWG NO.	BNC-412-001		DATE. 30/MAR/2007