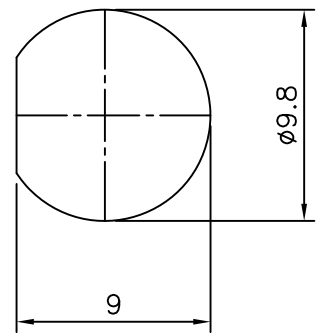
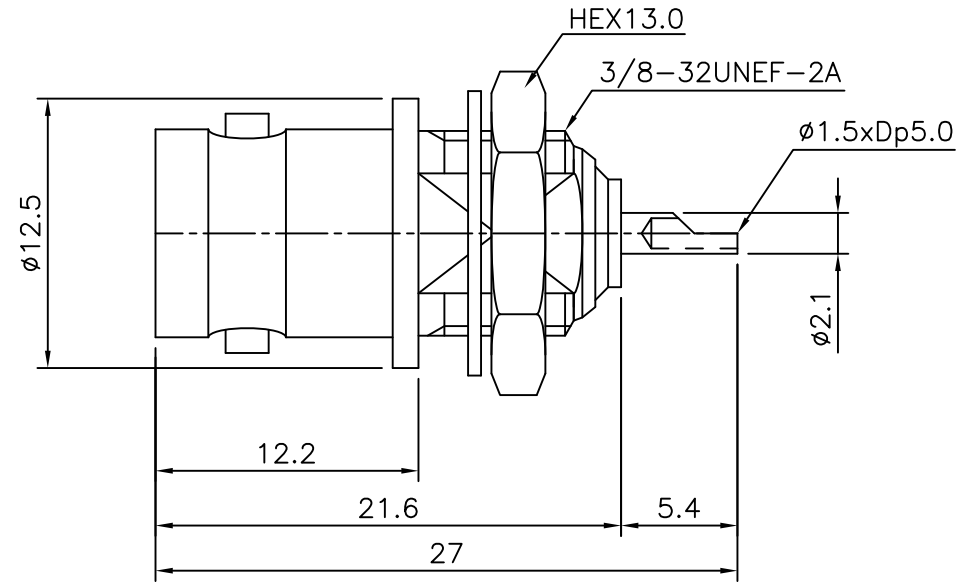


4	5	6	
No.	Revision	Date	Name
△1	PN Change from 1B-602-00	09/APR/2014	S.J.PARK
△			

RoHS Compliant



Item	Materials	Plating
Body,Nut,Washer	Brass	Nickel Plated
Center contact	Beryllium copper	Gold Plated
Insulator	PTFE	-

BNC BULKHEAD JACK RECEPTACLE

NO.	DESCRIPTION	Q'TY	MATERIAL	FINISH	REMARKS.
PARTS No.	BNC-506-001	NAME	BNC-BH JACK RECEP.		APPROVED
MATERIAL	FINISH	TOLERANCES		OTHERWISE SPEC. ± 0.05	ANGLES $\pm 1^\circ$
SCALE	N/S	UNIT	mm		DESIGNED
DWG NO.	BNC-506-001	DATE.		S.J.LEE	
2001.05/04					

CUSTOMER



1 2 3 4 5 6

D

C

B

A