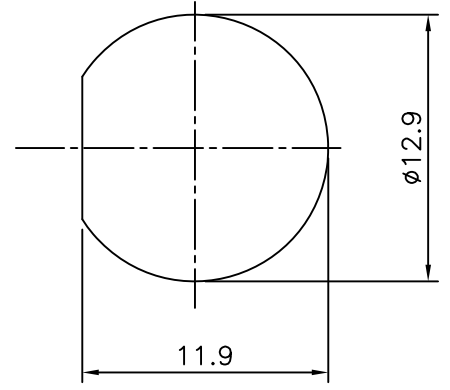
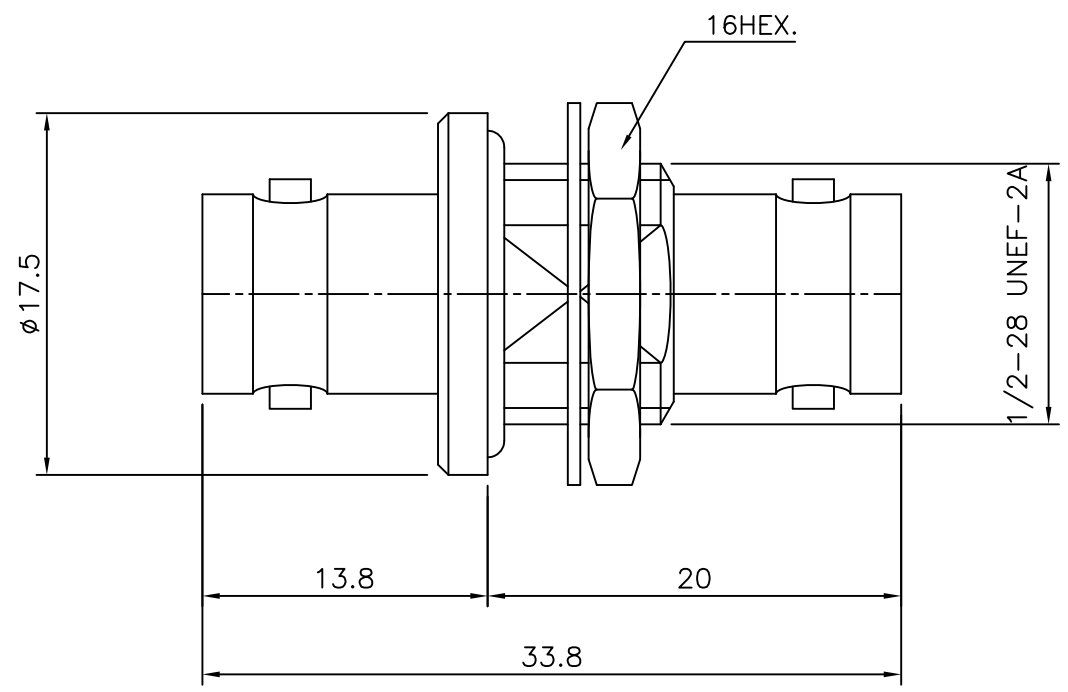


4	5	6	
No.	Revision	Date	Name
1	PN Change from 1B-804-02	21/JAN/2014	S.J.PARK

RoHS Compliant



MOUNTING HOLES

BNC-Bulkhead JACK TO JACK
with SEAL-ADAPTOR

Item	Materials	Plating
Body	Brass	Nickel Plated
Center contact	Be-Cu	Gold Plated
Nut,Washer	Brass	Nickel Plated
Insulator	TEFLON	-
O-Ring	Silicone rubber	-

CUSTOMER

NO.	DESCRIPTION	Q'TY	MATERIAL	FINISH	REMARKS.
PARTS No.	BNC-804-003	NAME	BNC-BJJ-ADAP		APPROVED
MATERIAL	FINISH	TOLERANCES OTHERWISE SPEC. ±0.05		ANGLES ±1°	CHECKED
SCALE		UNIT	mm		DESIGNED S.J.LEE
DWG NO.		BNC-804-003		DATE.	2001.2/27

