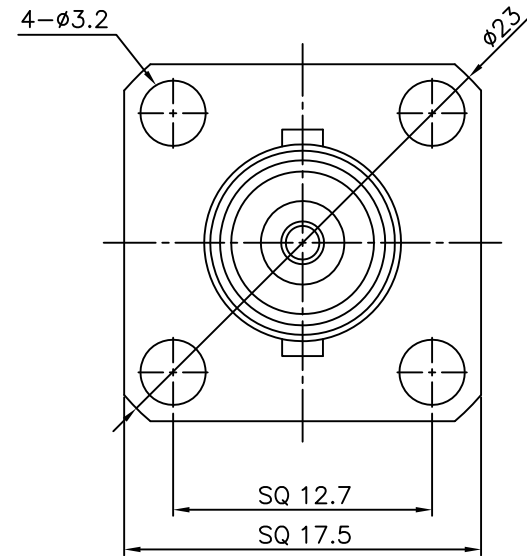
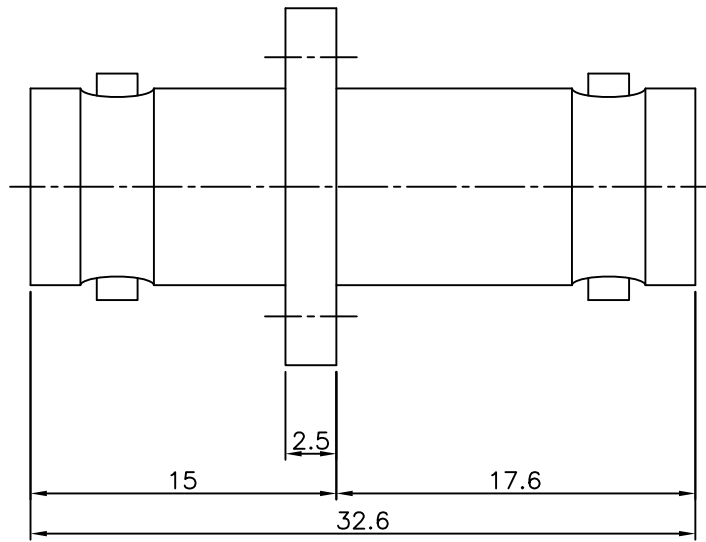


4	5	6
No.	Revision	Date
△	PN Change from 1B-812-00	09/APR/2014
△		
		Name
		S.J.PARK



Item	Materials	Plating
Body	Brass	Nickel Plated
Center contact	Be-Cu	Gold Plated
Insulator	PTFE	-

NO.	DESCRIPTION	Q'TY	MATERIAL	FINISH	REMARKS.
PARTS No.	BNC-805-001		NAME	BNC-FF Panel Adaptor	APPROVED
MATERIAL	FINISH	TOLERANCES OTHERWISE SPEC. ±0.05		ANGLES ±1°	CHECKED
SCALE		UNIT	mm		DESIGNED S.J.LEE
DWG NO.		BNC-805-001		DATE.	18/6/2003

**CUSTOMER**



**DONGJIN TI.**