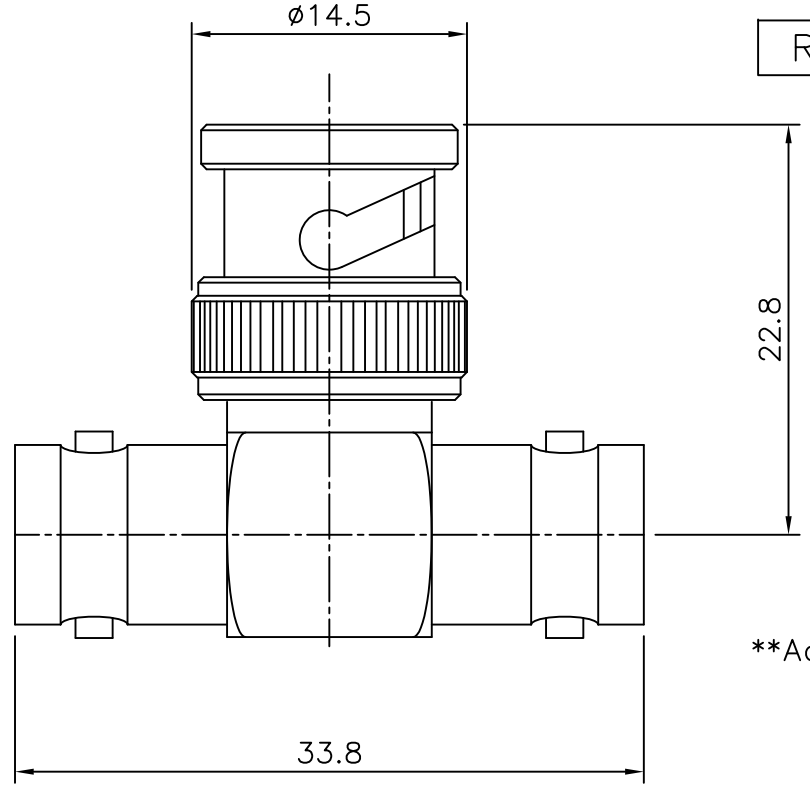


No.	Revision	Date	Name
△	PN Change from 1S-882-00	12/09/2013	B.G.YUN
△			

RoHS Compliant



**Adaptor should be Weatherproof

BNC T-JACK-PLUG-JACK ADAPTOR

Item	Materials	Plating
Coupling cap	Zinc	Nickel Plated
Body	Brass	Nickel Plated
Center contact	Beryllium copper	Gold Plated
Insulator	PTFE	-

NO.	DESCRIPTION	Q'TY	MATERIAL	FINISH	REMARKS.
PARTS No.	BNC-807-002	NAME	BNC-T-JPJ-Adap		APPROVED
MATERIAL	FINISH	TOLERANCES OTHERWISE SPEC. ±0.05		ANGLES ±1°	CHECKED
SCALE		UNIT	mm		DESIGNED S.J.LEE
DWG NO.		BNC-807-002		DATE.	04/MAY/2005

CUSTOMER

