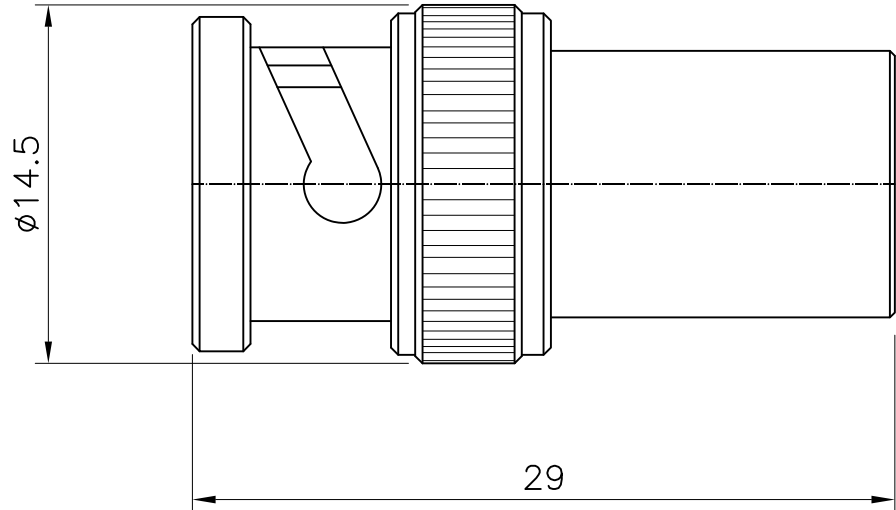


1	2	3	4	5	6
No.	Revision		Date	Name	
△	PN Change from 1B-901-2W		02/07/2013	B.G.YUN	
△					

RoHS Compliant



SPECIFICATIONS

Frequency Range----- DC~4GHz
 VSWR-----1.2:1Max.
 Impedance----- 50 Ohms
 Power Rating----- 2Watts
 Oper Temp Range----- -50°C~+125°C

CONNECTOR----- Brass/Nickel plated
 Conductors----- Brass/Gold plated

BNC MALE-Termination

NO.	DESCRIPTION	Q'TY	MATERIAL	FINISH	REMARKS.
PARTS No.	BNC-901-001	NAME	BNC-P-TERM		APPROVED
MATERIAL	FINISH	TOLERANCES OTHERWISE SPEC. ±0.05		ANGLES ±1°	CHECKED
SCALE		UNIT	mm		DESIGNED S.J.LEE
DONGJIN TI.		DWG NO.	BNC-901-001		DATE. 11/DEC/2007

CUSTOMER