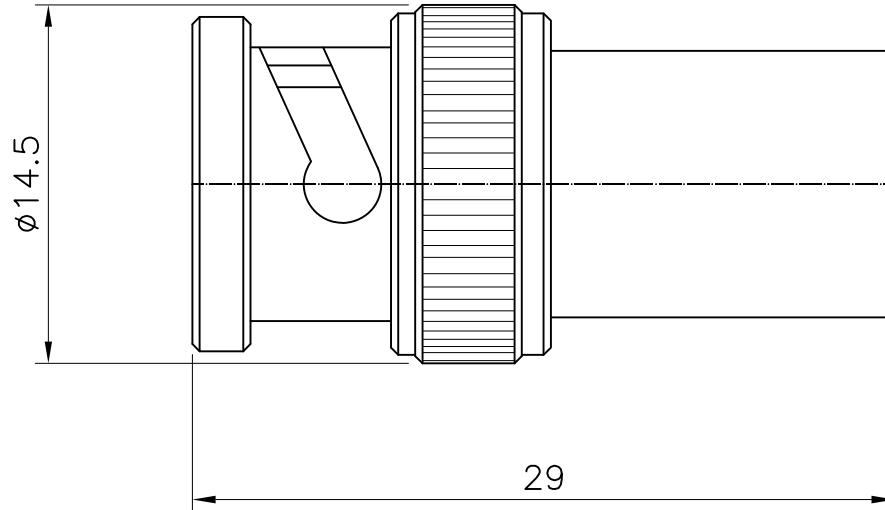


No.	Revision	Date	Name
△	PN Change from 1B-901-2W8G	19/07/2013	B.G.YUN
△			

RoHS Compliant



SPECIFICATIONS

Frequency Range----- DC~8GHz  
 VSWR----- 1.2:1Max.@4GHz , 1.35:@8GHz  
 Impedance----- 50 Ohms  
 Power Rating----- 2Watts  
 Oper Temp Range----- -50°C~+125°C

CONNECTOR----- Brass/Nickel plated  
 Conductors----- Brass/Gold plated 0.76micron

BNC MALE-Termination

NO.	DESCRIPTION	Q'TY	MATERIAL	FINISH	REMARKS.
PARTS No.	BNC-901-002	NAME	BNC-P-TERM		APPROVED
MATERIAL	FINISH	TOLERANCES OTHERWISE SPEC. ±0.05		ANGLES ±1°	CHECKED
SCALE		UNIT	mm		DESIGNED S.J.LEE
DONGJIN TI.		DWG NO.	BNC-901-002		DATE. 08/MAY/2013

**CUSTOMER**