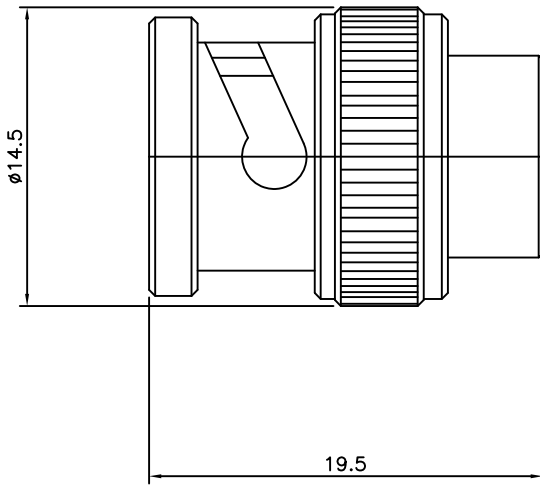


No.	Revision	Date	Name
△	PN Change from 1B-901-1W	06/AUG/2014	B.G.YUN
△			

RoHS Compliant



SPECIFICATIONS

Frequency Range----- DC~3GHz
 VSWR-----1.2:1Max.
 Impedance----- 50 Ohms
 Power Rating----- 1Watts
 Oper Temp Range----- -50°C~+125°C

BNC MALE-Termination

Connector parts	Materials	Finish
Coupling Cap	Zinc	Nickel Plated
Body	Brass	Nickel Plated
Center contact	Brass	Gold Plated
Insulator	PTFE	-

NO.	DESCRIPTION	Q'TY	MATERIAL	FINISH	REMARKS.
PARTS No.	BNC-901-004	NAME	BNC-P-TERM		APPROVED
MATERIAL	FINISH	TOLERANCES OTHERWISE SPEC. ±0.05		ANGLES ±1°	CHECKED
SCALE		UNIT	mm		DESIGNED S.J.LEE
		DWG NO.	BNC-901-004		DATE. 23/FEB/2012

CUSTOMER