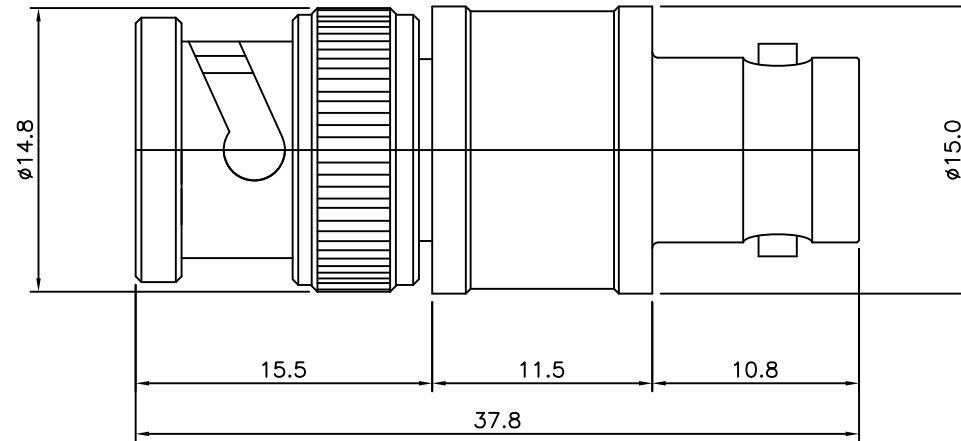


No.	Revision	Date	Name
△	PN Change from 1B-903-001	02/OCT/2013	S.J.PARK
△			

RoHS Compliance



SPECIFICATIONS

IMPEDANCE: 50 OHm
 FREQUENCY RANGE: DC TO 1.0 GHz
 VSWR: 1.2:1 max.
 INPUT POWER: 2 WATT
 TEMPERATURE RANGE: -40~85°C

BNC-PLUG TO JACK
 FEED-THROUGH
 TERMINATION (50 OHm)

Item	Materials	Plating
Coupling cap	Zinc	Nickel Plated
Body	Brass	Nickel Plated
Center contact	Brass Be-Cu	Gold Plated
Insulator	PTFE	-

NO.	DESCRIPTION	Q'TY	MATERIAL	FINISH	REMARKS.
PARTS No. BNC-903-001		NAME BNC-PJ TERMINATION			APPROVED S.J.LEE
MATERIAL		FINISH		TOLERANCES OTHERWISE SPEC. ±0.05 ANGLES ±1°	CHECKED
SCALE		UNIT mm			DESIGNED M.G.KIM
DWG NO.		BNC-903-001			DATE. 02/MAY/2012

CUSTOMER



DONGJIN TI.