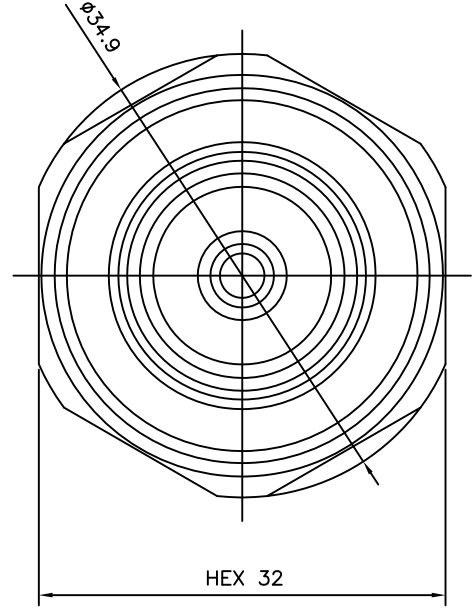
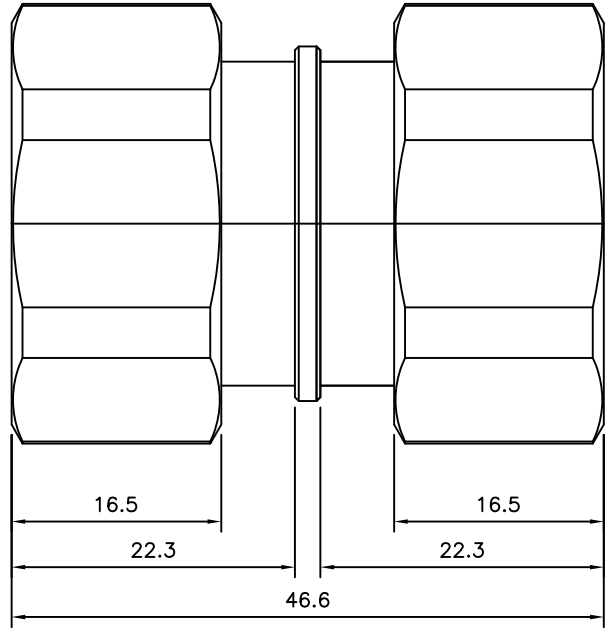


4	5	6
No.	Revision	Date
△		
△		

RoHS Compliant



Environmental data

Frequency range : DC ~ 6GHz
 V.S.W.R : 1.20 : 1 Max
 PIMD : 165 dBc min(2x20W)
 Operating Temperature : -45°C ~ 120°C

DIN TYPE(M) TO DIN TYPE(M) ADAPTOR

Connector parts	Materials	Finish
Body	Brass	Suco Plated
Coupling cap	Brass	Suco Plated
Center contact	Brass	Silver Plated
Insulator	TFFLON	-

CUSTOMER

NO.	DESCRIPTION	Q'TY	MATERIAL	FINISH	REMARKS.
PARTS No.	D716-801-001		NAME DIN TYPE(M) TO DIN-TYPE(M) ADAP		APPROVED K.Y.SON
MATERIAL	FINISH	TOLERANCES OTHERWISE SPEC. ±0.05		ANGLES ±1°	CHECKED M.K.KIM
		SCALE	UNIT mm		DESIGNED S.J.PARK
		DWG NO. D716-801-001		DATE. 25/SEP/2013	

