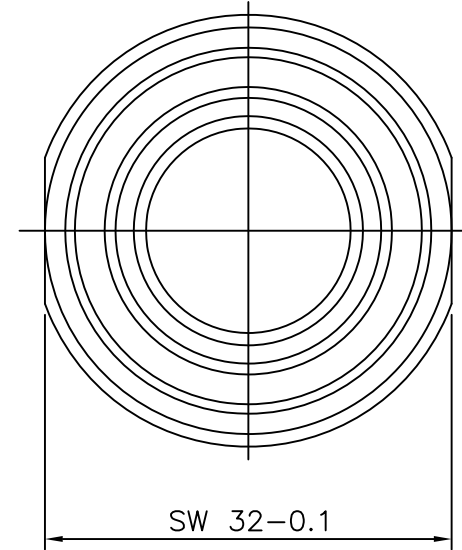
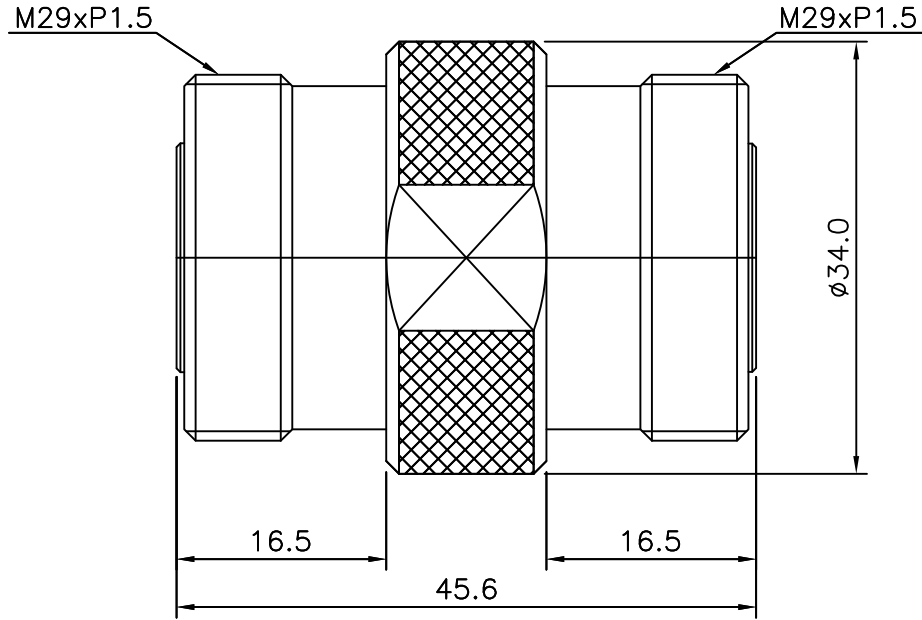


| | | | |
|-----|------------------------|-------------|----------|
| No. | Revision | Date | Name |
| △ | Inner structure change | 11/DEC/2013 | S.J.PARK |
| △ | | | |

RoHS Compliant



Environmental data

Frequency range : DC ~ 6GHz
 V.S.W.R : 1.20 : 1 Max
 PIMD : 165 dBc min(2x20W)
 Operating Temperature : -45°C ~ 120°C

DIN TYPE(F) TO DIN TYPE(F) ADAPTOR

| Connector parts | Materials | Finish |
|-----------------|-----------|---------------|
| Body | Brass | Suco Plated |
| Center contact | Be-cu | Silver Plated |
| Insulator | TFFLON | - |

| NO. | DESCRIPTION | Q'TY | MATERIAL | FINISH | REMARKS. |
|-----------|--------------|-------------------------------------|---|------------|----------------------|
| PARTS No. | D716-803-001 | | NAME DIN TYPE(F) TO DIN-TYPE(F) ADAP | | APPROVED K.Y.SON |
| MATERIAL | FINISH | TOLERANCES OTHERWISE SPEC. ±0.05 | | ANGLES ±1° | CHECKED M.K.KIM |
| SCALE | | UNIT mm | | | DESIGNED S.J.PARK |
| DWG NO. | | D716-803-001 | | | DATE. 25/SEP/2013 |

CUSTOMER

